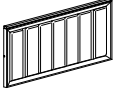
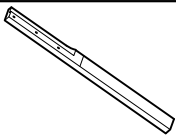


ASSEMBLY INSTRUCTION


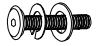

ITEM NUMBER : B7300-Q-HB / B7350-Q-HB
DESCRIPTION : QUEEN LED HEADBOARD

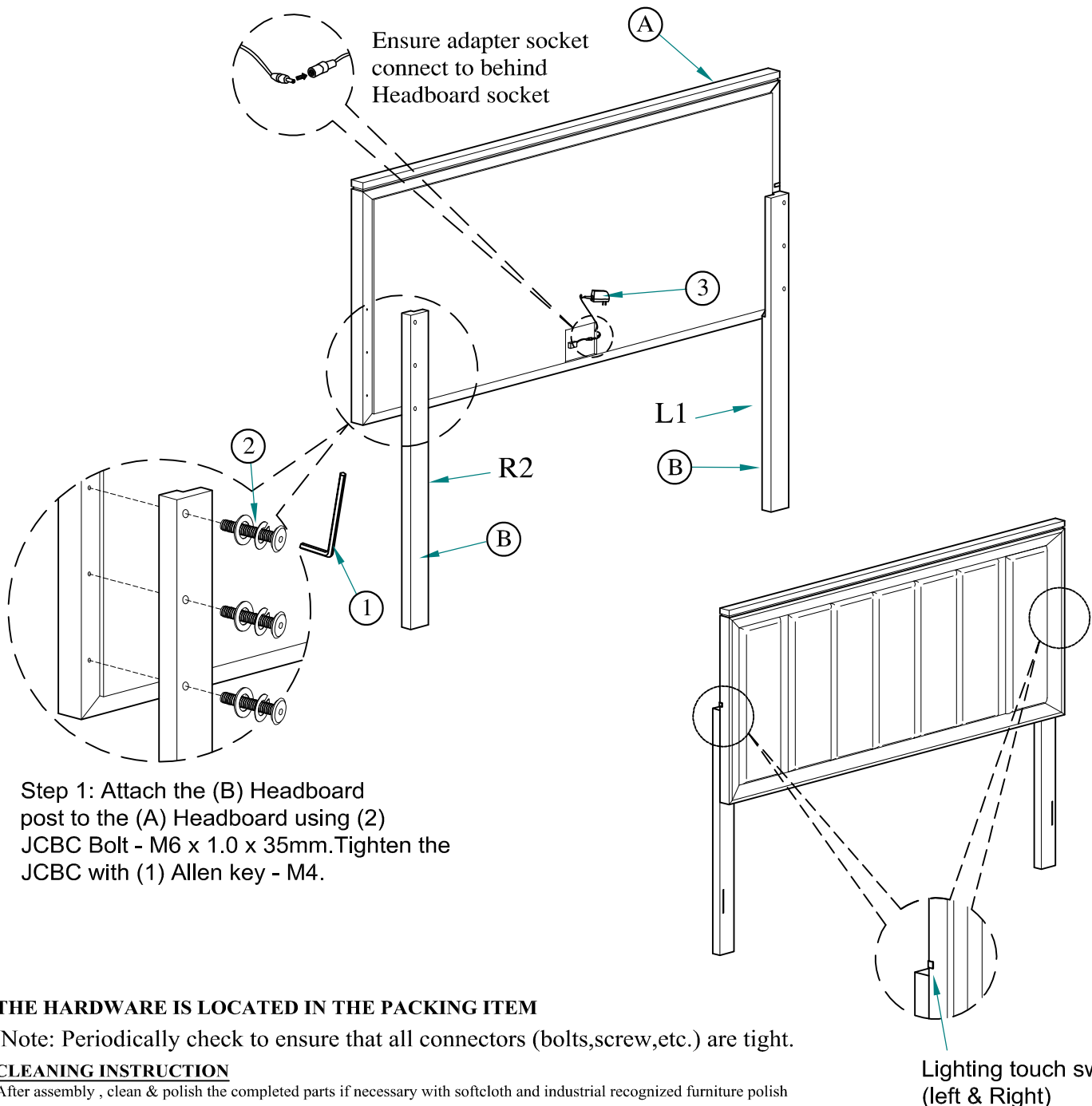
Thank you for purchasing this quality product. Be sure to check all packing material carefully for small parts which may have loose inside the carton during shipment. Identify and count all parts and compare with the parts list below.

(BOX 1) BOX OF HEADBOARD

NO	DRAWING	DESCRIPTION	QTY
A		Headboard	1pc
B		Headboard Post - (L/R)	2pcs

(BOX 1) HARDWARE LIST

NO	DRAWING	DESCRIPTION	QTY
1		Allen key - M4	1pc
2		JCBC Bolt - M6 x 1.0 x 35mm	6pcs
3		AC/DC Adapter	1pc



THE HARDWARE IS LOCATED IN THE PACKING ITEM

Note: Periodically check to ensure that all connectors (bolts, screw, etc.) are tight.

CLEANING INSTRUCTION

After assembly, clean & polish the completed parts if necessary with softcloth and industrial recognized furniture polish

ASSEMBLY INSTRUCTION

ITEM NUMBER : B7300-Q-HB / B7300-Q-FB / B7300-KQ-RAIL


B7350-Q-HB / B7350-Q-FB / B7350-KQ-RAIL

DESCRIPTION : QUEEN LED HEADBOARD / QUEEN FOOTBOARD / KING/QUEEN RAIL

Thank you for purchasing this quality product. Be sure to check all packing material carefully for small parts which may have loose inside the carton during shipment. Identify and count all parts and compare with the parts list below.




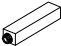
(BOX 1)

BOX OF HEADBOARD & HEADBOARD POST

NO	DRAWING	DESCRIPTION	QTY
A		Headboard	1pc



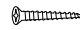
(BOX 2)

BOX OF FOOTBOARD

NO	DRAWING	DESCRIPTION	QTY
B		Footboard	1pc
C		Leg	2pcs
D		Slat	4pcs
E		Slat support leg	4pcs


(BOX 2)

HARDWARE LIST

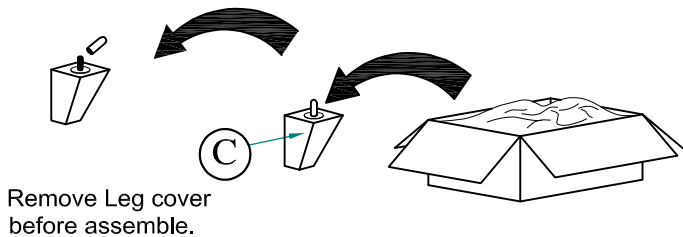
NO	DRAWING	DESCRIPTION	QTY
1		Allen key - M4	1pc
2		JCBC Bolt - M6 x 1.0 x 35mm	4pcs
3		CSK Screw - M4 x 32mm	8pcs

(BOX 3)

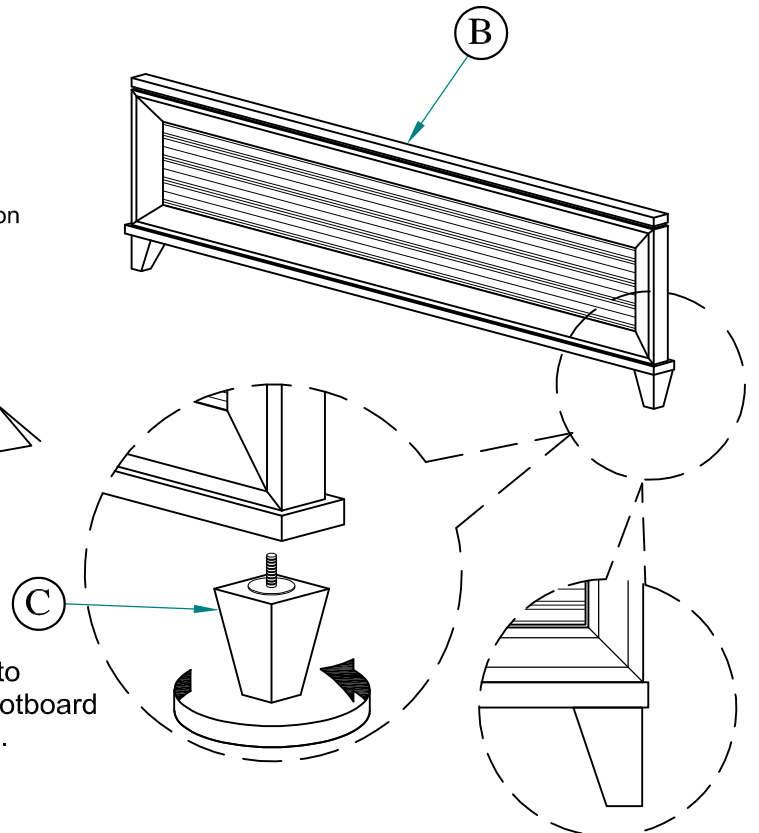
BOX OF SIDE RAIL

NO	DRAWING	DESCRIPTION	QTY
F		Side Rail	2pcs

Remove Leg in the carton and unwrap each leg.



Step 1: Secure the (C) Leg to the bottom of (B) Footboard as a diagram shown.



Ensure the bevel side of leg are facing to the center. Do not over turn.

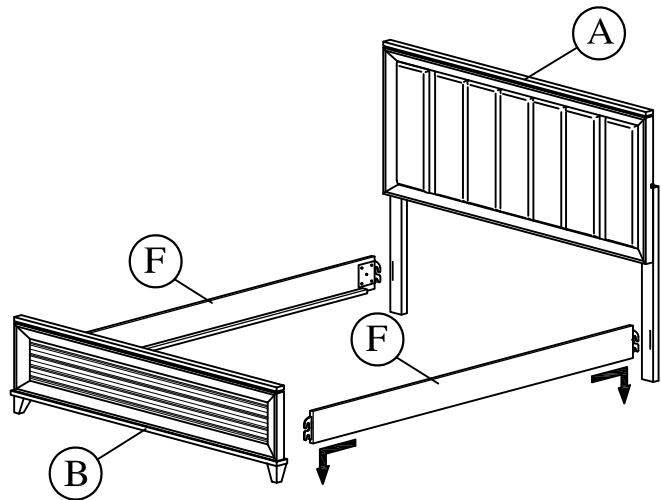
THE HARDWARE IS LOCATED IN THE PACKING ITEM

Note: Periodically check to ensure that all connectors (bolts,screw,etc.) are tight.

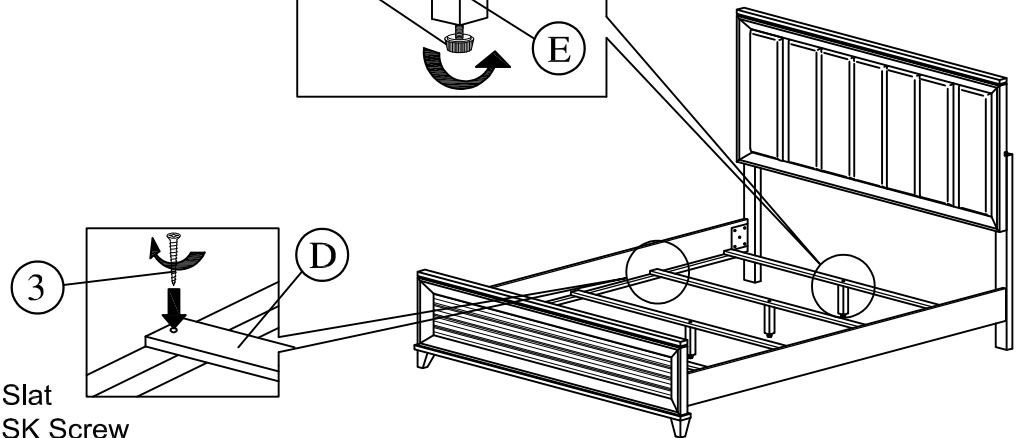
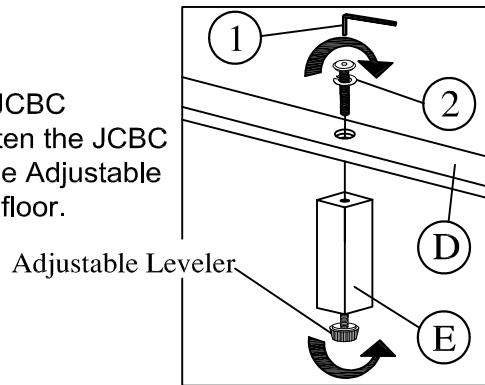
CLEANING INSTRUCTION

After assembly , clean & polish the completed parts if necessary with softcloth and industrial recognized furniture polish

Step 2: Attach the (F) Side Rail to the (A) Headboard & (B) Footboard.



Step 3: Attach (E) Slat Support Leg to the bottom of (D) Slat using (2) JCBC Bolt - M6 x 1.0 x 35mm and tighten the JCBC with (1) Allen key - M4. Adjust the Adjustable Leveler to level the bed with the floor.



Step 4: Secure the (D) Slat using the (3) CSK Screw - M4 x 32mm provided.