



ASSEMBLY INSTRUCTION

ITEM NUMBER : B7300-1 & B7300-11 / B7350-1 & B7350-11

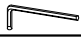


DESCRIPTION : DRESSER & DRESSER TOP

Thank you for purchasing this quality product. Be sure to check all packing material carefully for small parts which may have loose inside the carton during shipment. Identify and count all parts and compare with the parts list below.


(BOX 2)
BOX OF DRESSER TOP

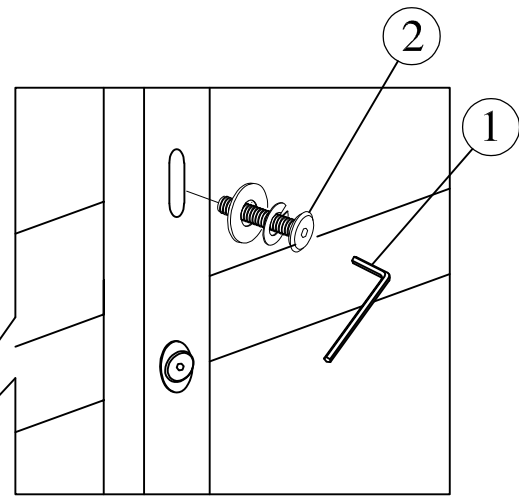
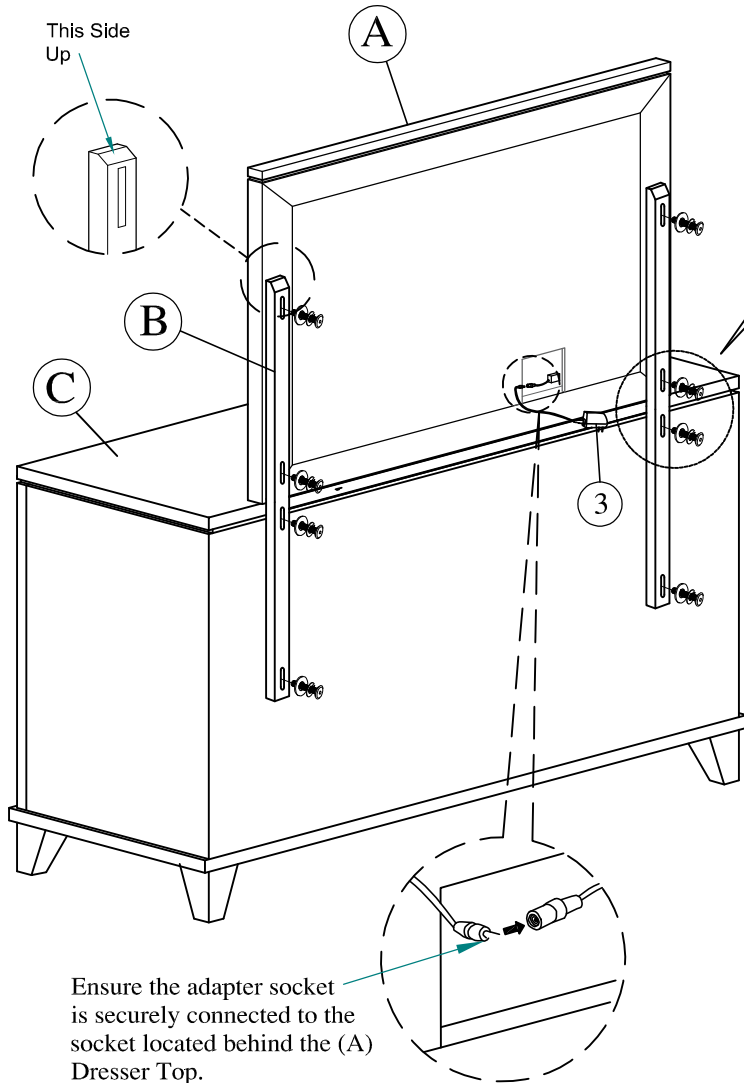
NO	DRAWING	DESCRIPTION	QTY
A		Dresser Top	1pc
B		Dresser Top Support	2pcs

(BOX 2)
HARDWARE LIST

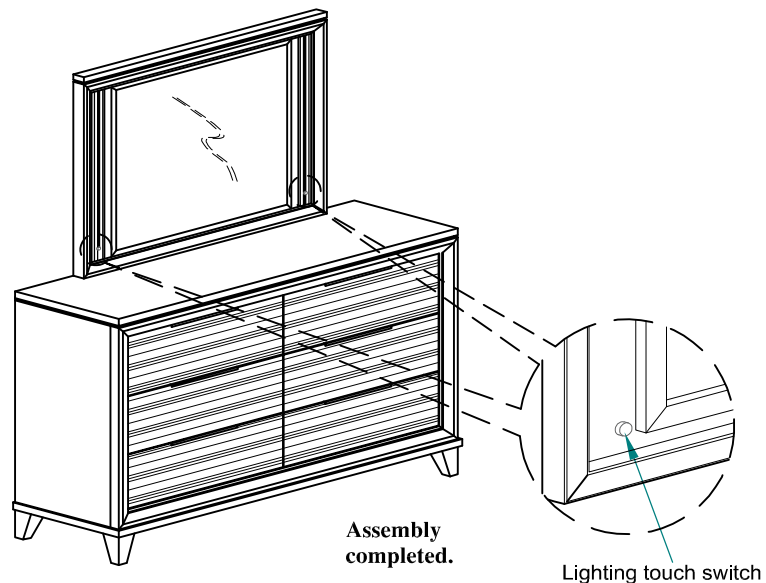
NO	DRAWING	DESCRIPTION	QTY
1		Allen key - M4	1pc
2		JCBC Bolt - M6 x 1.0 x 35mm	8pcs
3		AC/DC Adapter	1pc

(BOX 1)
BOX OF DRESSER

NO	DRAWING	DESCRIPTION	QTY
C		Dresser	1pc



Step 1: Place (A) Dresser Top on the top of (C) Dresser as arrow shown. Align Dresser Top to the center of Dresser and tighten (2) JCBC Bolt M6 x 1.0 x 35mm with (1) Allen key - M4.



THE HARDWARE IS LOCATED IN THE PACKING ITEM
THE ANTI TIPPING HARDWARE IS LOCATED IN THE 1ST RIGHT SIDE FRONT DRAWER OF DRESSER

Note: Periodically check to ensure that all connectors (bolts,screw,etc.) are tight.

CLEANING INSTRUCTION

After assembly , clean & polish the completed parts if necessary with softcloth and industrial recognized furniture polish