

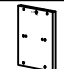









# ASSEMBLY INSTRUCTIONS

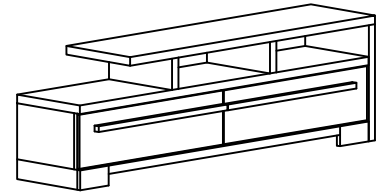
ITEM NO : B8160 / B8162 - 9 TV UNIT

## BOX OF TV UNIT

| ITEM | DRAWING   | DESCRIPTION  | QTY |
|------|---|--------------|-----|
| A    |  | TV UNIT      | 1   |
| B    |  | TOP PANEL    | 1   |
| C    |  | SIDE PANEL   | 1   |
| D    |  | CENTER PANEL | 2   |

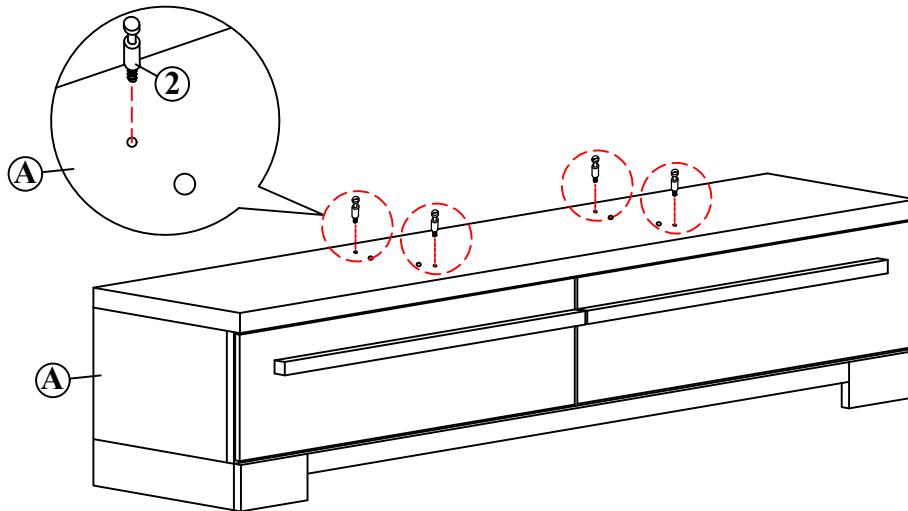
## (BOX OF TV UNIT) HARDWARE LIST

| ITEM | DRAWING   | DESCRIPTION  | QTY |
|------|---|--|-----|
| 1    |  | ALLEN WRENCH (M4)                                    | 1   |
| 2    |  | CAM BOLT (T24)                                       | 10  |
| 3    |  | CAM NUT (D15 X 9.5mm)                                | 10  |
| 4    |  | WOOD DOWEL (M12 x 30mm)                              | 12  |
| 5    |  | CONNECTION BOLT (M6 x 40mm) W/WASHER & SPRING WASHER | 4   |
| 6    |  | Assembly Tool Not Included                           |     |

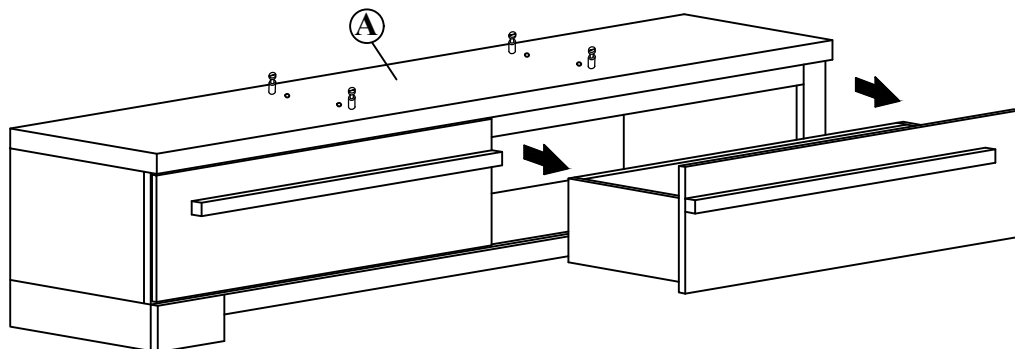


## COMPLETED TV UNIT ASSEMBLY

### STEP 1



### STEP 2



NOTE : ADJUST THE LEVELER ONLY IF IT IS BEING PLACED ON UNEVEN SURFACE.

THE HARDWARE IS LOCATED IN THE PACKING ITEMS

THE ANTI TIPPING HARDWARE IS LOCATED IN THE RIGHT SIDE BOTTOM DRAWER OF THE TV UNIT .

NOTE : Periodically check to ensure that all connectors (bolt, screws, etc.) are tight.

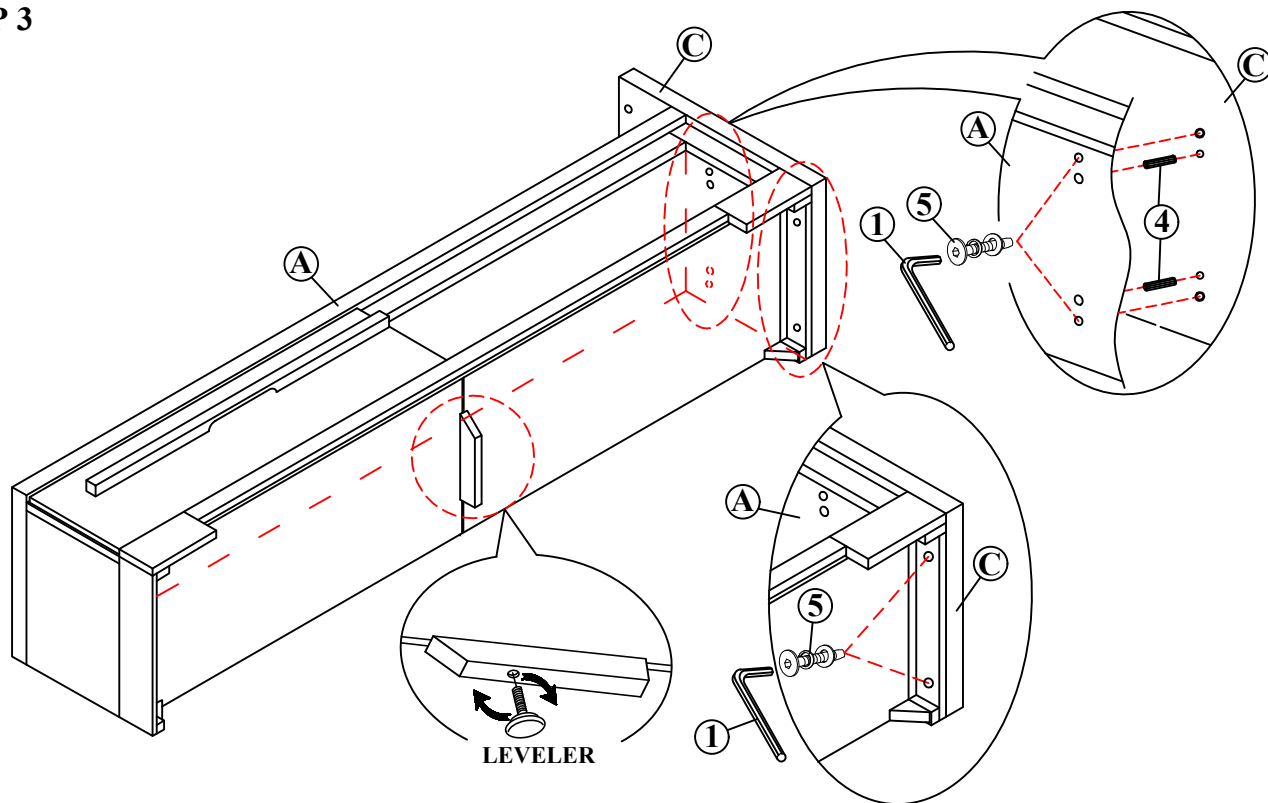
### CLEANING INSTRUCTION

After assembly, clean & polish the completed parts if necessary with soft cloth and industrial recognized furniture polish

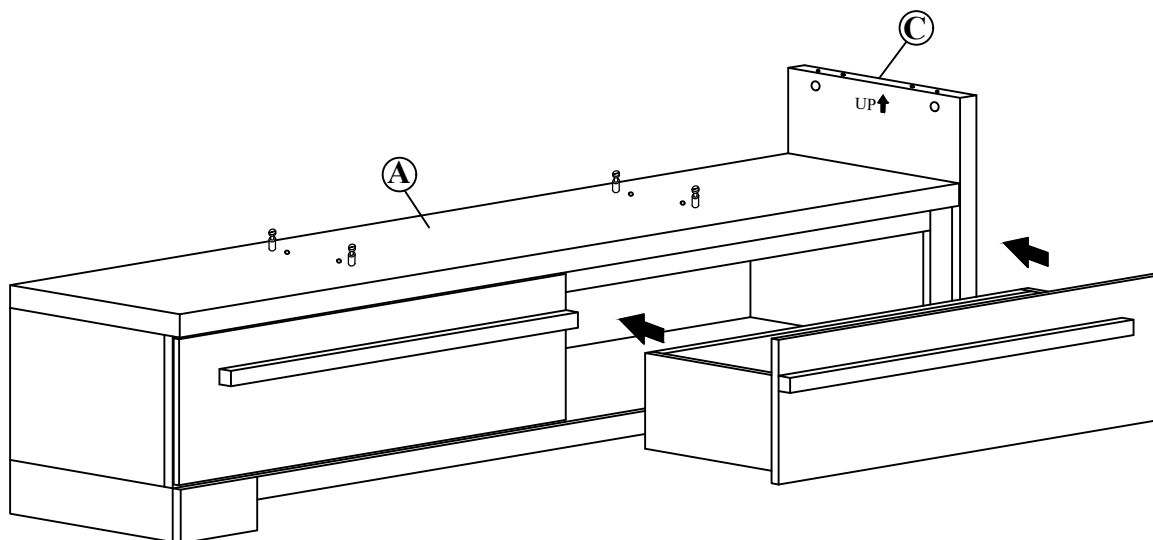
# ASSEMBLY INSTRUCTIONS

ITEM NO : B8160 / B8162 - 9 TV UNIT

## STEP 3



## STEP 4



NOTE : ADJUST THE LEVELER ONLY IF IT IS BEING PLACED ON UNEVEN SURFACE.

THE HARDWARE IS LOCATED IN THE PACKING ITEMS

THE ANTI TIPPING HARDWARE IS LOCATED IN THE RIGHT SIDE BOTTOM DRAWER OF THE TV UNIT .

NOTE : Periodically check to ensure that all connectors (bolt, screws, etc.) are tight.

## CLEANING INSTRUCTION

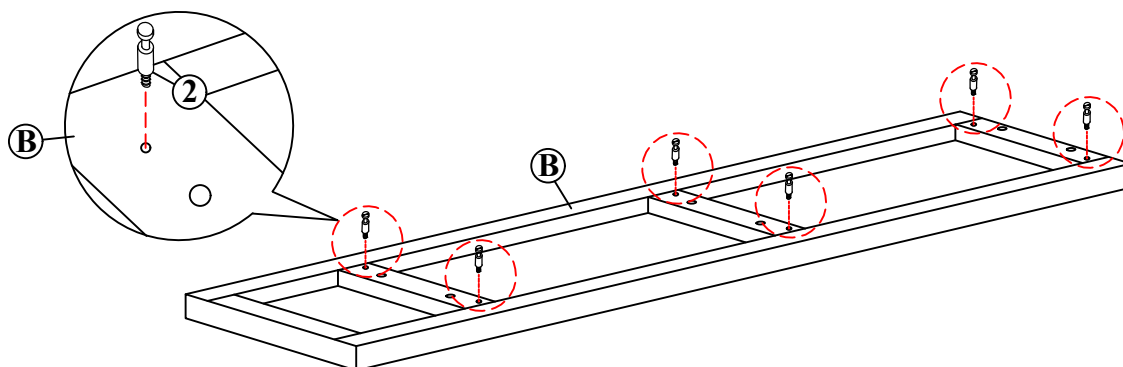
After assembly, clean & polish the completed parts if necessary with soft cloth and industrial recognized furniture polish

MADE IN MALAYSIA

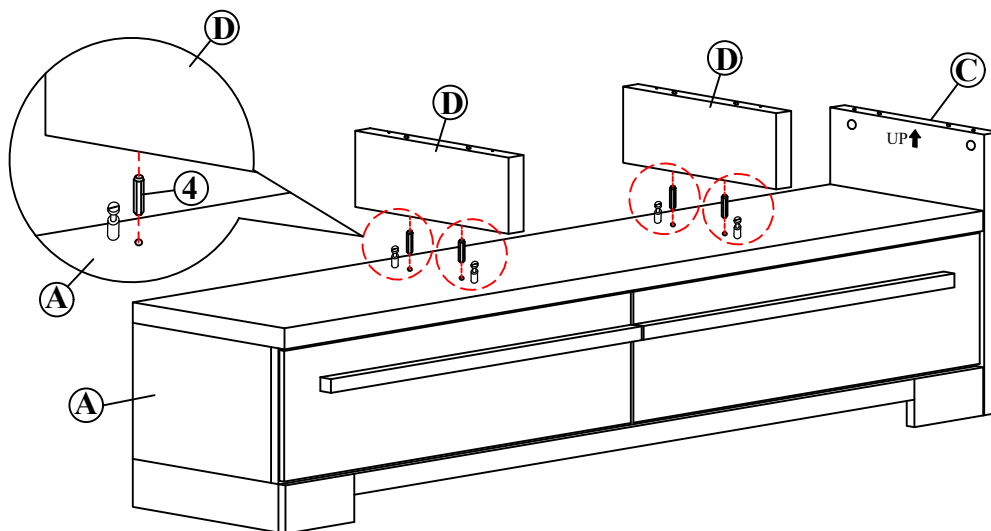
# ASSEMBLY INSTRUCTIONS

ITEM NO : B8160 / B8162 - 9 TV UNIT

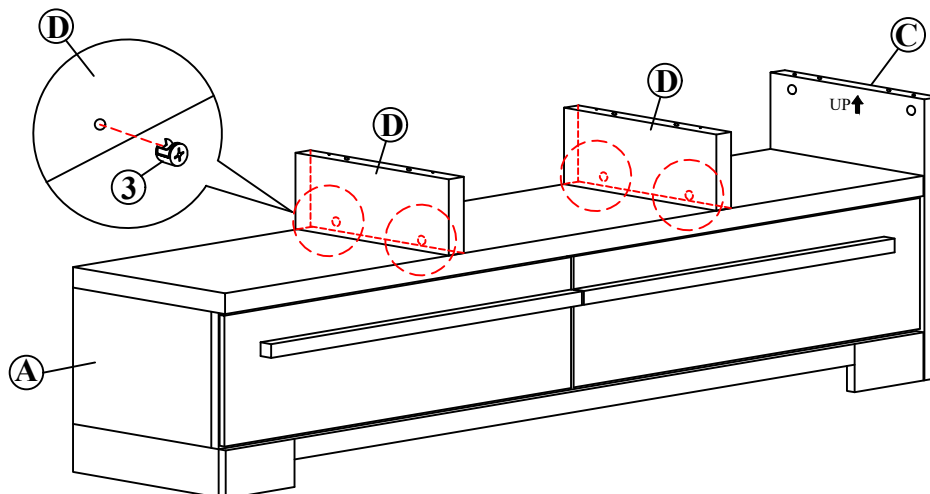
## STEP 5



## STEP 6



## STEP 7



NOTE : ADJUST THE LEVELER ONLY IF IT IS BEING PLACED ON UNEVEN SURFACE.

THE HARDWARE IS LOCATED IN THE PACKING ITEMS

THE ANTI TIPPING HARDWARE IS LOCATED IN THE RIGHT SIDE BOTTOM DRAWER OF THE TV UNIT .

NOTE : Periodically check to ensure that all connectors (bolt, screws, etc.) are tight.

## CLEANING INSTRUCTION

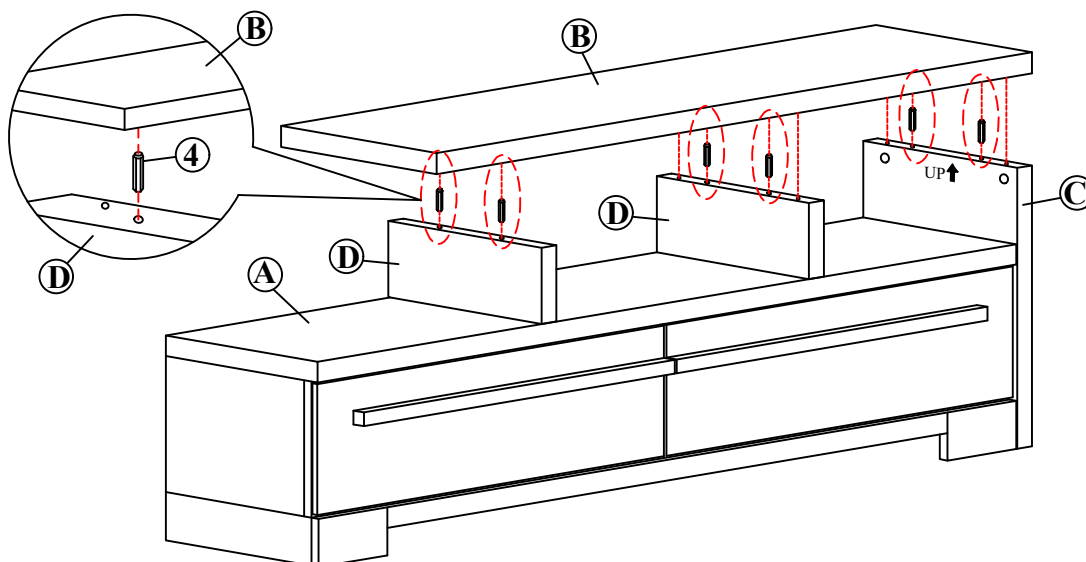
After assembly, clean & polish the completed parts if necessary with soft cloth and industrial recognized furniture polish

MADE IN MALAYSIA

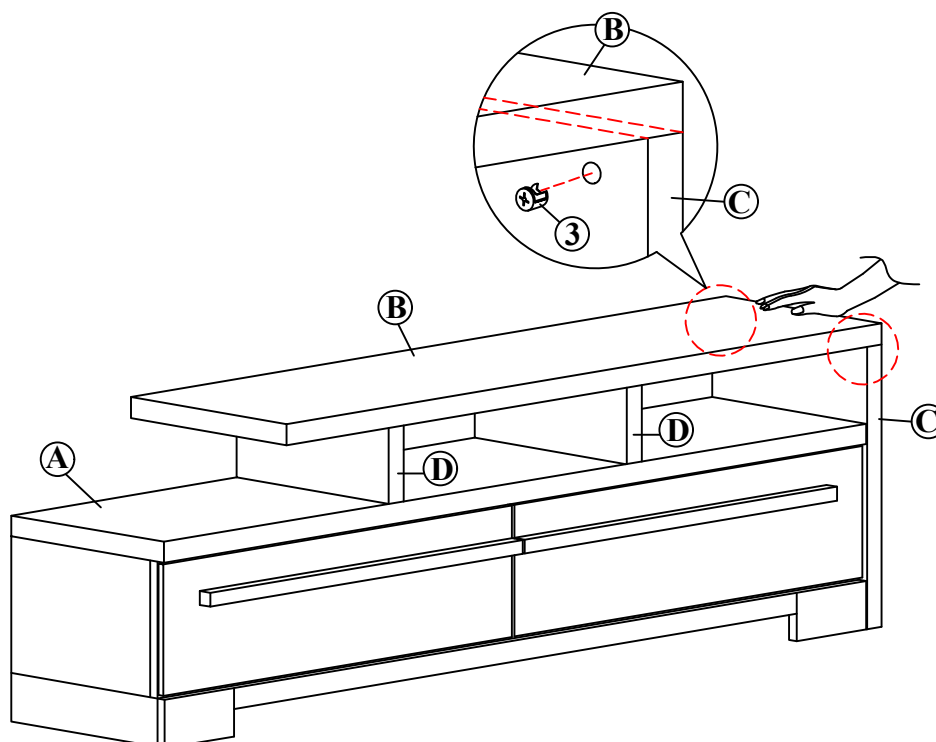
# ASSEMBLY INSTRUCTIONS

ITEM NO : B8160 / B8162 - 9 TV UNIT

## STEP 8



## STEP 9



NOTE : ADJUST THE LEVELER ONLY IF IT IS BEING PLACED ON UNEVEN SURFACE.

THE HARDWARE IS LOCATED IN THE PACKING ITEMS

THE ANTI TIPPING HARDWARE IS LOCATED IN THE RIGHT SIDE BOTTOM DRAWER OF THE TV UNIT .

NOTE : Periodically check to ensure that all connectors (bolt, screws, etc.) are tight.

## CLEANING INSTRUCTION

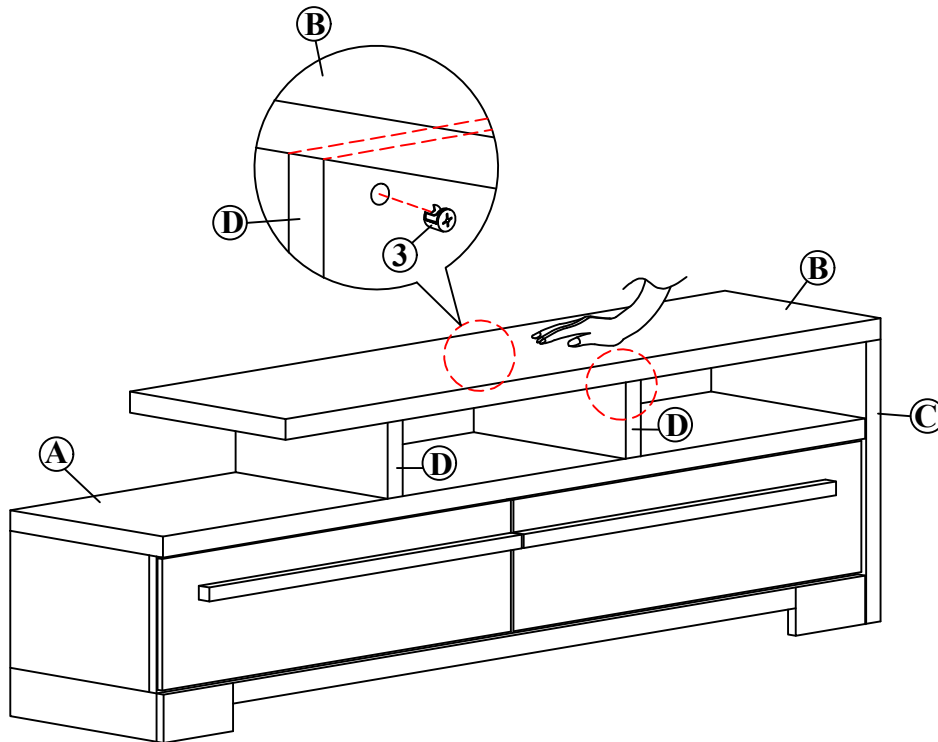
After assembly, clean & polish the completed parts if necessary with soft cloth and industrial recognized furniture polish

MADE IN MALAYSIA

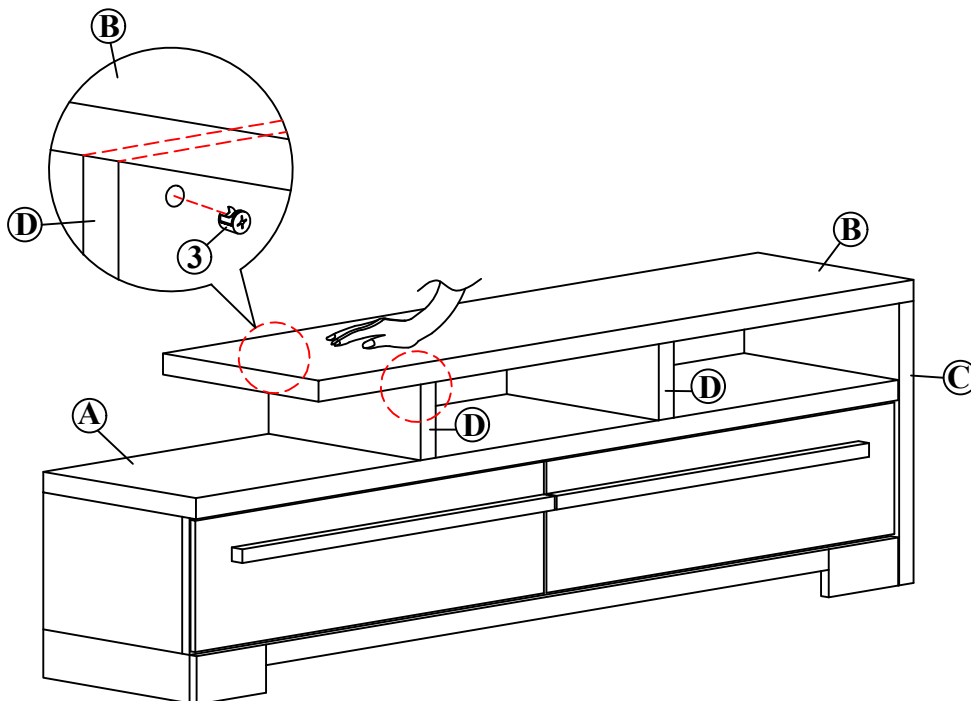
# ASSEMBLY INSTRUCTIONS

ITEM NO : B8160 / B8162 - 9 TV UNIT

## STEP 10



## STEP 11



NOTE : ADJUST THE LEVELER ONLY IF IT IS BEING PLACED ON UNEVEN SURFACE.

THE HARDWARE IS LOCATED IN THE PACKING ITEMS

THE ANTI TIPPING HARDWARE IS LOCATED IN THE RIGHT SIDE BOTTOM DRAWER OF THE TV UNIT .

NOTE : Periodically check to ensure that all connectors (bolt, screws, etc.) are tight.

## CLEANING INSTRUCTION

After assembly, clean & polish the completed parts if necessary with soft cloth and industrial recognized furniture polish

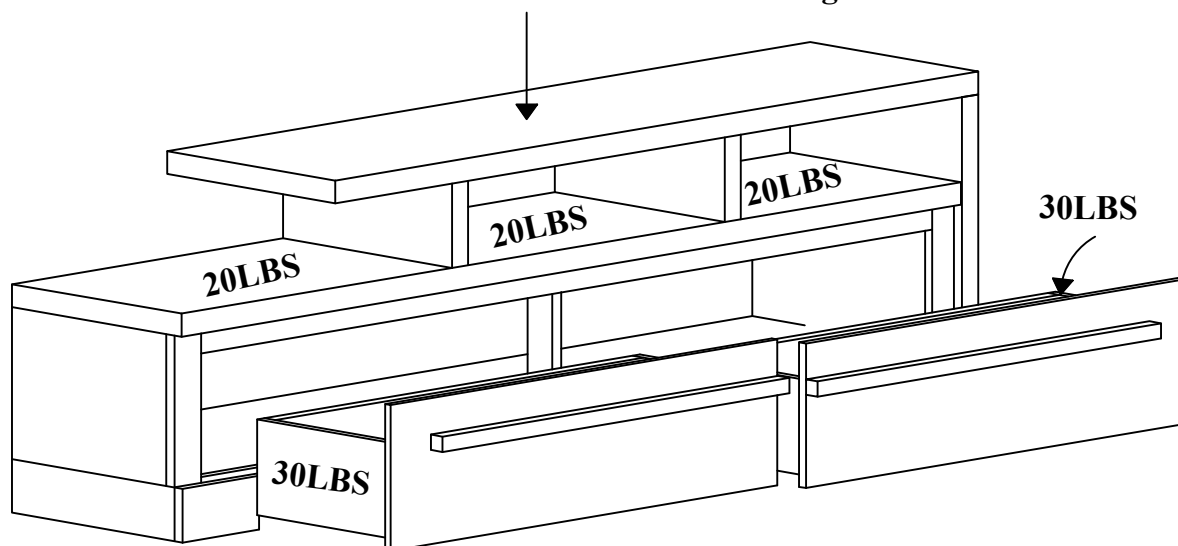
MADE IN MALAYSIA

# ASSEMBLY INSTRUCTIONS


ITEM NO : B8160 / B8162 - 9 TV UNIT

## STEP 12

FITS MOST FLAT PANEL TVs UP TO:  
139.7 cm / 55 in. DIAGONAL AND 45.4 kg / 100 lbs



**⚠ WARNING**

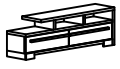
|   |  |
|---|--|
|  | <p><b>Children have died from furniture tipover. To reduce the risk of furniture tipover:</b></p> <ul style="list-style-type: none"><li>• ALWAYS install anti-tip device provided.</li><li>• For use with television weighting 100lbs or less. Use with heavier televisions may result in instability causing tip-over resulting in death or serious injury.</li><li>• NEVER allow children to stand, climb, or hang on any drawers, doors, or shelves.</li><li>• NEVER open more than one drawer at a time.</li><li>• Place heaviest items in the lowest drawers.</li></ul> <p style="text-align: center;"><i>This is a permanent label.<br/>Do not remove!</i></p> |
|---|--|

- a) "WARNING - Death or serious injury may occur when children climb on audio and/or video equipment furniture. A remote control or toys placed on the furnishing may encourage a child to climb on the furnishing and as a result the furnishing may tip over on to the child".
- b) "WARNING - Relocating audio and/or video equipment to furniture not specifically designed to support audio and/or video equipment may result in death or serious injury due to the furnishing collapsing or over turning onto a child".






# ASSEMBLY INSTRUCTIONS

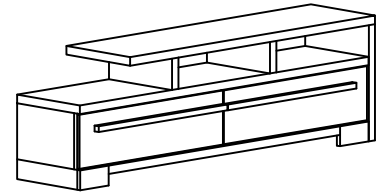
ITEM NO : B8160 / B8162 - 9 TV UNIT

## BOX OF TV UNIT

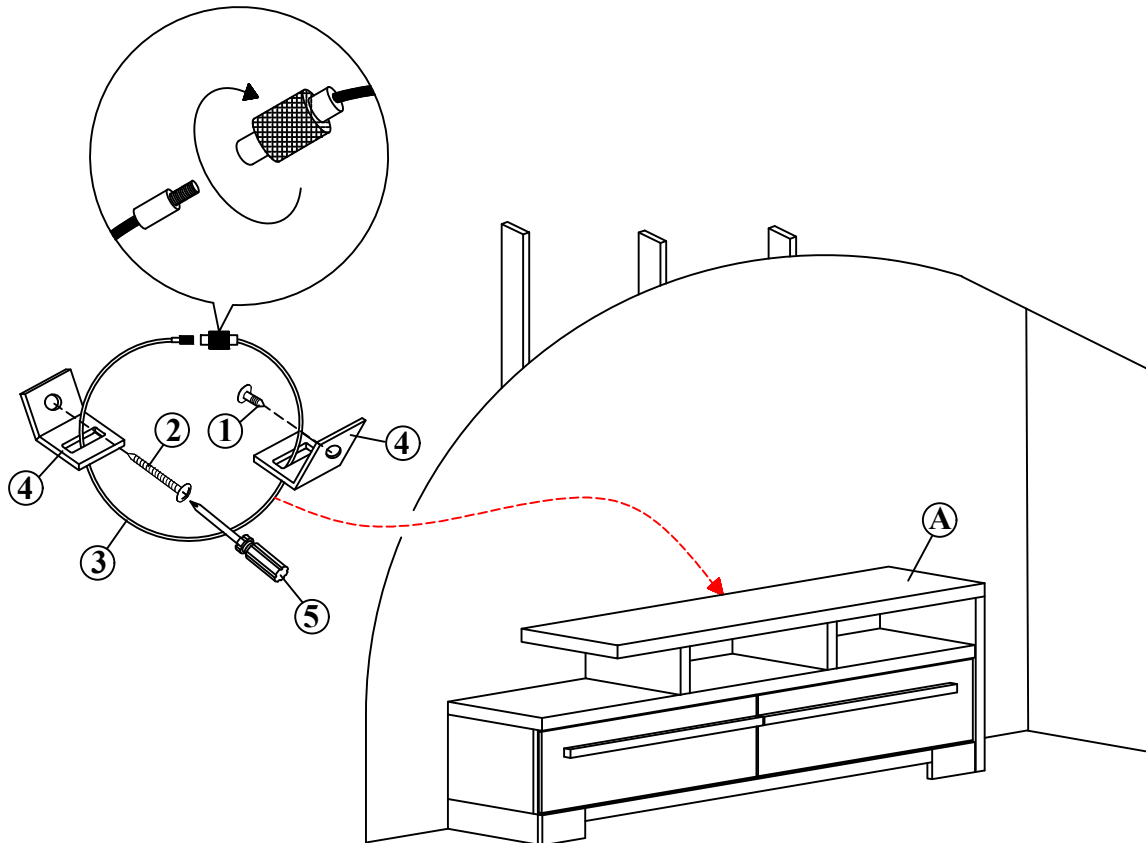
| ITEM | DRAWING   | DESCRIPTION | QTY |
|------|---|-------------|-----|
| A    |  | TV UNIT     | 1   |

## HARDWARE LIST

| ITEM | DRAWING   |                                       | QTY |
|------|---|---------------------------------------|-----|
| 1    |  | SHORT ROUND HEAD SCREW<br>(#8 x 5/8") | 1   |
| 2    |  | LONG ROUND HEAD SCREW<br>(#8 x 2")    | 1   |
| 3    |  | CABLE TIE                             | 1   |
| 4    |  | L BRACKET                             | 2   |
| 5    |  | Assembly Tool<br>Not Included         |     |



**COMPLETED TV UNIT  
ASSEMBLY**



**NOTE : ADJUST THE LEVELER ONLY IF IT IS BEING PLACED ON UNEVEN SURFACE.**

**THE ANTI TIPPING HARDWARE IS LOCATED IN THE RIGHT SIDE BOTTOM DRAWER OF THE TV UNIT .**

**NOTE : Periodically check to ensure that all connectors (bolt, screws, etc.) are tight.**

## CLEANING INSTRUCTION

After assembly, clean & polish the completed parts if necessary with soft cloth and industrial recognized furniture polish

MADE IN MALAYSIA