

**ITEM NO : B8250 - Q - HBFB SIENNA QUEEN HB + FB**

**+ H/F CANOPY BARS**




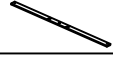

**B8250 - Q - BASE SIENNA QUEEN DECKING BOARDS**

**B8250 - KQ - RAIL SIENNA K/Q RAIL + SIDE CANOPY**

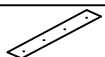
**+ POST**

# ASSEMBLY INSTRUCTIONS







**(BOX 1)  
BOX OF HEADBOARD & FOOTBOARD**

ITEM	DRAWING	DESCRIPTION	QTY
A		HEADBOARD FRAME	1
B		FOOTBOARD FRAME	1
C		WOODEN SUPPORT	4
D		WOODEN SLAT	4
E		TOP CANOPY BAR	2


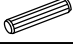
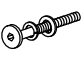
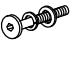



**(BOX 2)  
BOX OF DECKING BOARD**

ITEM	DRAWING	DESCRIPTION	QTY
F		DECKING BOARD	5

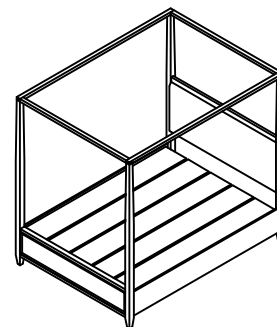
**(BOX 3)  
BOX OF SIDE RAIL**

ITEM	DRAWING	DESCRIPTION	QTY
G1		LEFT HEADBOARD LEG	1
G2		RIGHT HEADBOARD LEG	1
H1		LEFT FOOTBOARD LEG	1
H2		RIGHT FOOTBOARD LEG	1
I		SIDE RAIL	2
J		SIDE CANOPY BAR	2

**(BOX 1)  
HARDWARE LIST**

ITEM	DRAWING	DESCRIPTION	QTY
1		ALLEN WRENCH (M4 x 110mm)	1
2		WOOD DOWEL (M10 x 40mm)	18
3		CONNECTION BOLT (M6 x 70mm) (FOR HB & FB POST & SR)	18
4		CONNECTION BOLT (M6 x 50mm) (FOR CANOPY RAIL)	4
5		ROUND HEAD SCREW (M4 x 20mm)	20
6		FLAT HEAD SCREW (M4 x 32mm)	8
7		SCREW DRIVER(*)	1

The manufacturer does not provide item 7.



**COMPLETED QUEEN BED  
ASSEMBLY**

**THE HARDWARE IS LOCATED IN THE PACKING ITEMS**

**NOTE : MUST TIGHTEN SCREWS PERIODICALLY. WITH USE SCREW MAY BECOME LOOSE.  
CHECK TIGHTNESS OF ALL SCREWS EVERY 6-8 WEEKS.**

**CLEANING INSTRUCTION**

**After assembly, clean & polish the completed parts if necessary with soft cloth and industrial recognized furniture polish**

ITEM NO : B8250 - Q - HBFBI SIENNA QUEEN HB + FB

+ H/F CANOPY BARS

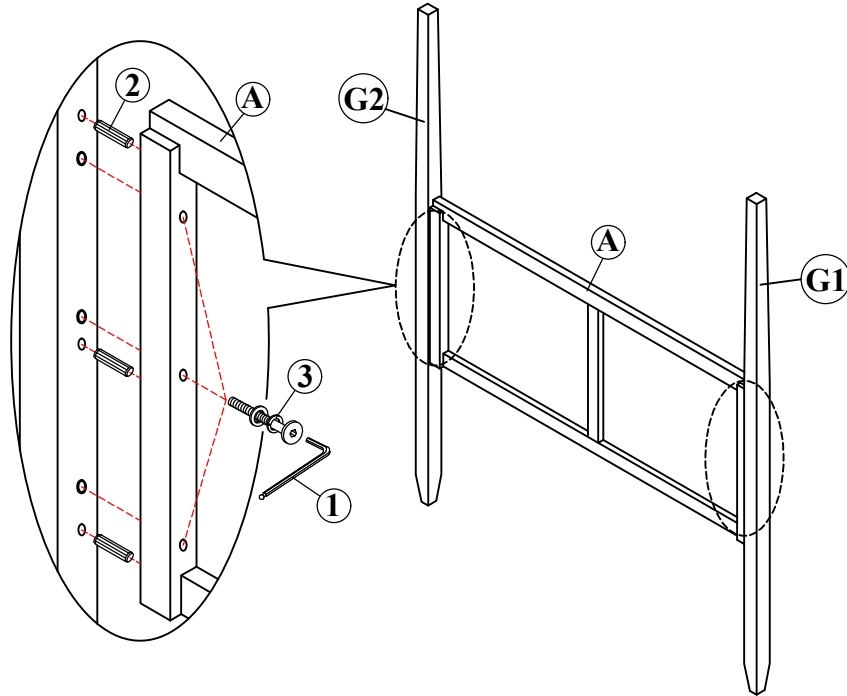
B8250 - Q - BASE SIENNA QUEEN DECKING BOARDS

B8250 - KQ - RAIL SIENNA K/Q RAIL + SIDE CANOPY

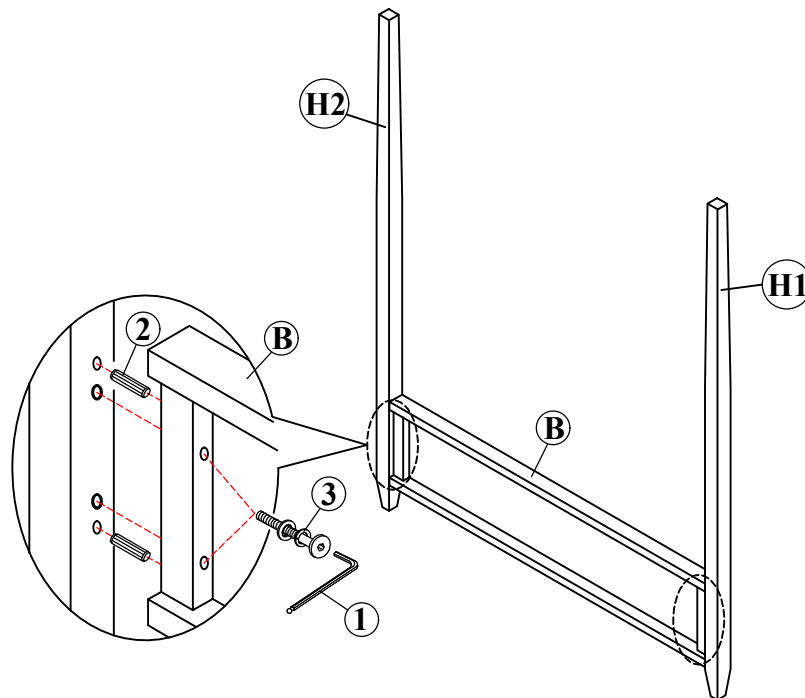
+ POST

# ASSEMBLY INSTRUCTIONS

## STEP 1



## STEP 2



THE HARDWARE IS LOCATED IN THE PACKING ITEMS

NOTE : MUST TIGHTEN SCREWS PERIODICALLY. WITH USE SCREW MAY BECOME LOOSE.  
CHECK TIGHTNESS OF ALL SCREWS EVERY 6-8 WEEKS.

### CLEANING INSTRUCTION

After assembly, clean & polish the completed parts if necessary with soft cloth and industrial recognized furniture polish

MADE IN MALAYSIA

ITEM NO : B8250 - Q - HBFB SIENNA QUEEN HB + FB

+ H/F CANOPY BARS

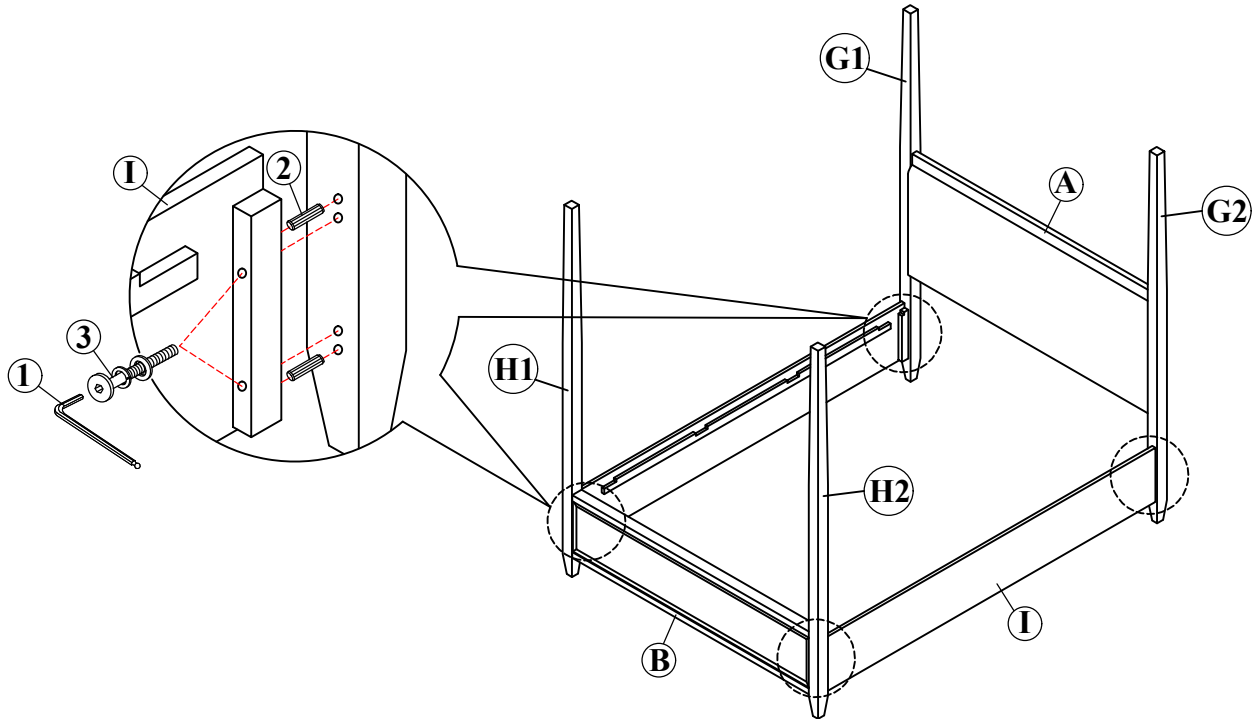
B8250 - Q - BASE SIENNA QUEEN DECKING BOARDS

B8250 - KQ - RAIL SIENNA K/Q RAIL + SIDE CANOPY

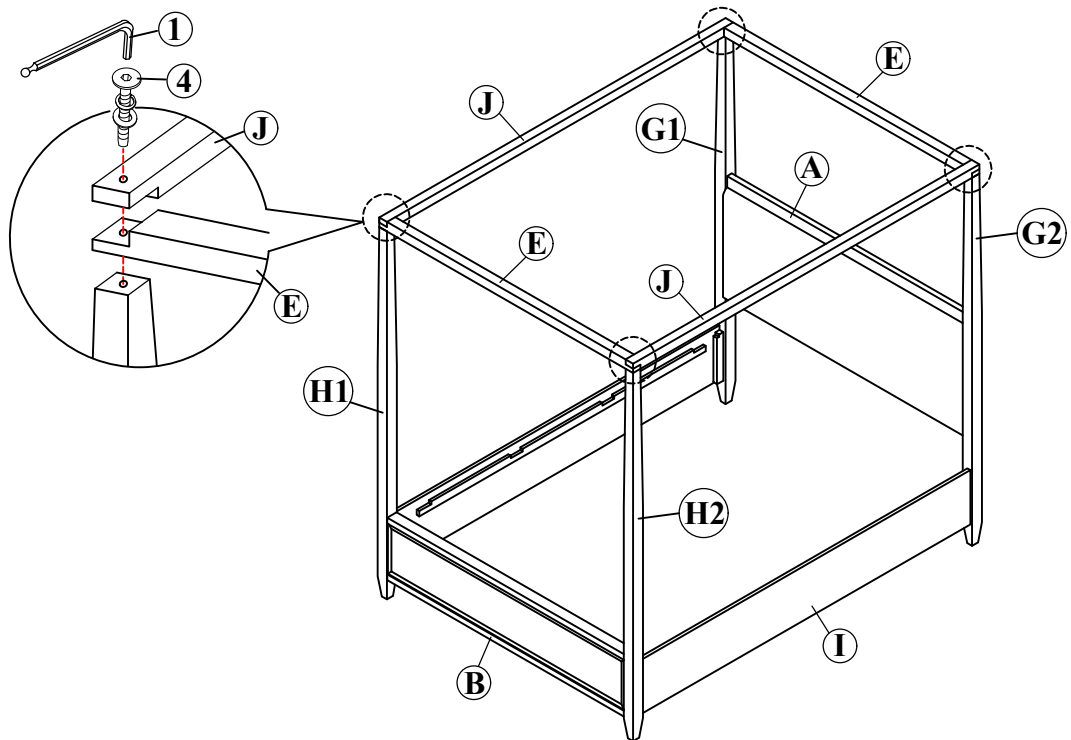
+ POST

# ASSEMBLY INSTRUCTIONS

## STEP 3



## STEP 4



THE HARDWARE IS LOCATED IN THE PACKING ITEMS

NOTE : MUST TIGHTEN SCREWS PERIODICALLY. WITH USE SCREW MAY BECOME LOOSE.  
CHECK TIGHTNESS OF ALL SCREWS EVERY 6-8 WEEKS.

### CLEANING INSTRUCTION

After assembly, clean & polish the completed parts if necessary with soft cloth and industrial recognized furniture polish

MADE IN MALAYSIA

ITEM NO : B8250 - Q - HBFB SIENNA QUEEN HB + FB

+ H/F CANOPY BARS

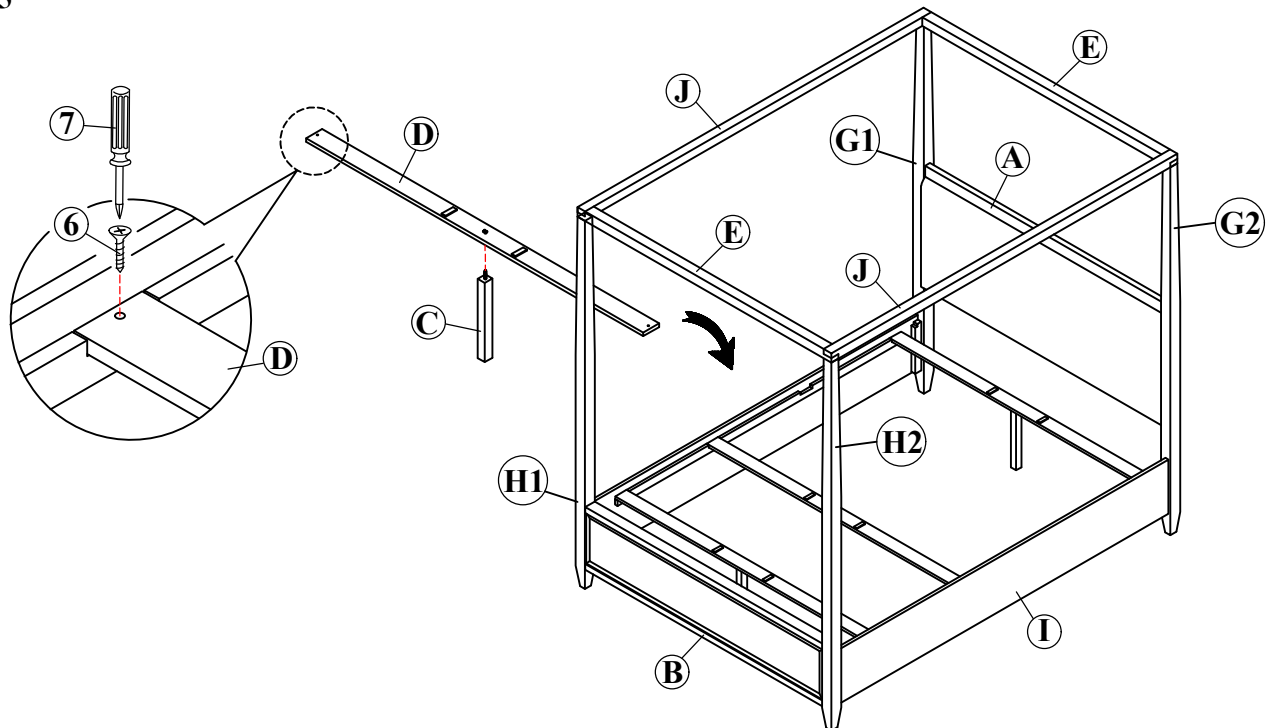
B8250 - Q - BASE SIENNA QUEEN DECKING BOARDS

B8250 - KQ - RAIL SIENNA K/Q RAIL + SIDE CANOPY

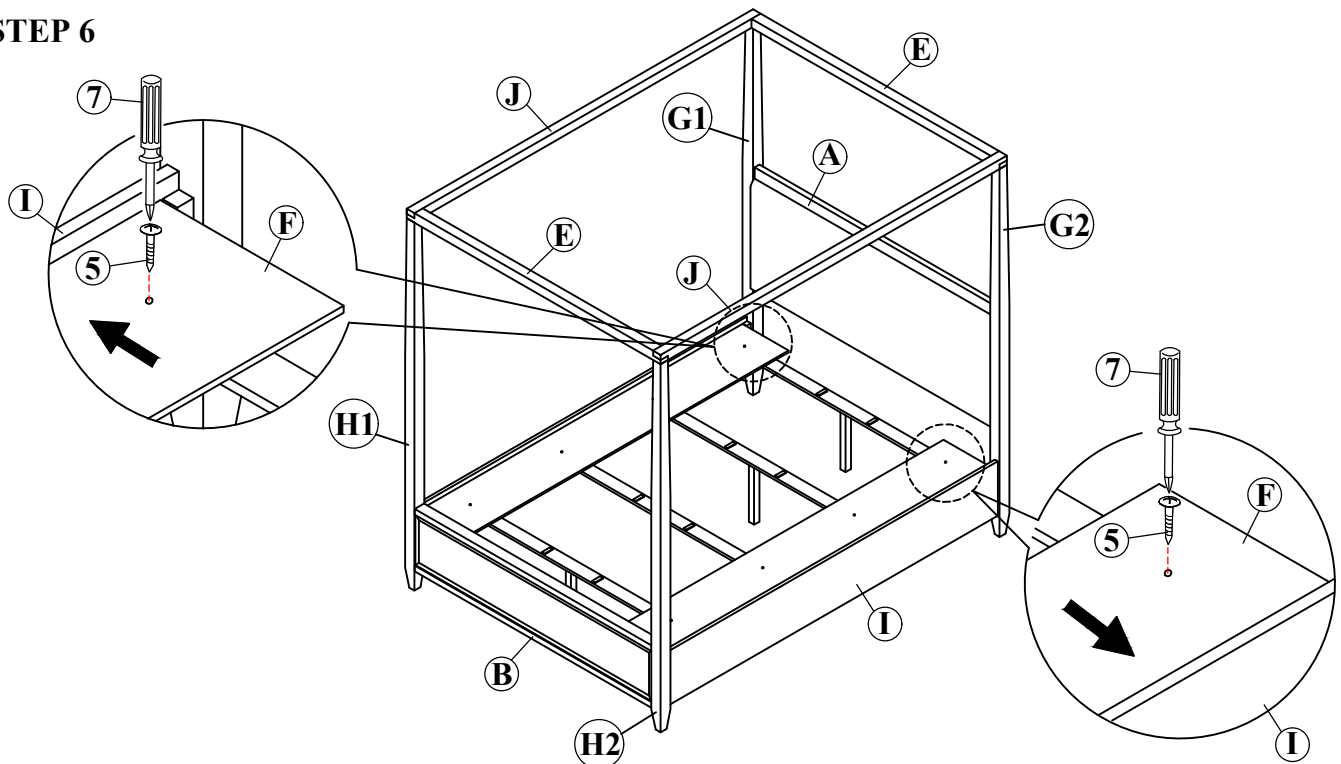
+ POST

# ASSEMBLY INSTRUCTIONS

## STEP 5



## STEP 6



THE HARDWARE IS LOCATED IN THE PACKING ITEMS

NOTE : MUST TIGHTEN SCREWS PERIODICALLY. WITH USE SCREW MAY BECOME LOOSE.  
CHECK TIGHTNESS OF ALL SCREWS EVERY 6-8 WEEKS.

### CLEANING INSTRUCTION

After assembly, clean & polish the completed parts if necessary with soft cloth and industrial recognized furniture polish

MADE IN MALAYSIA

ITEM NO : B8250 - Q - HBFBI SIENNA QUEEN HB + FB

+ H/F CANOPY BARS

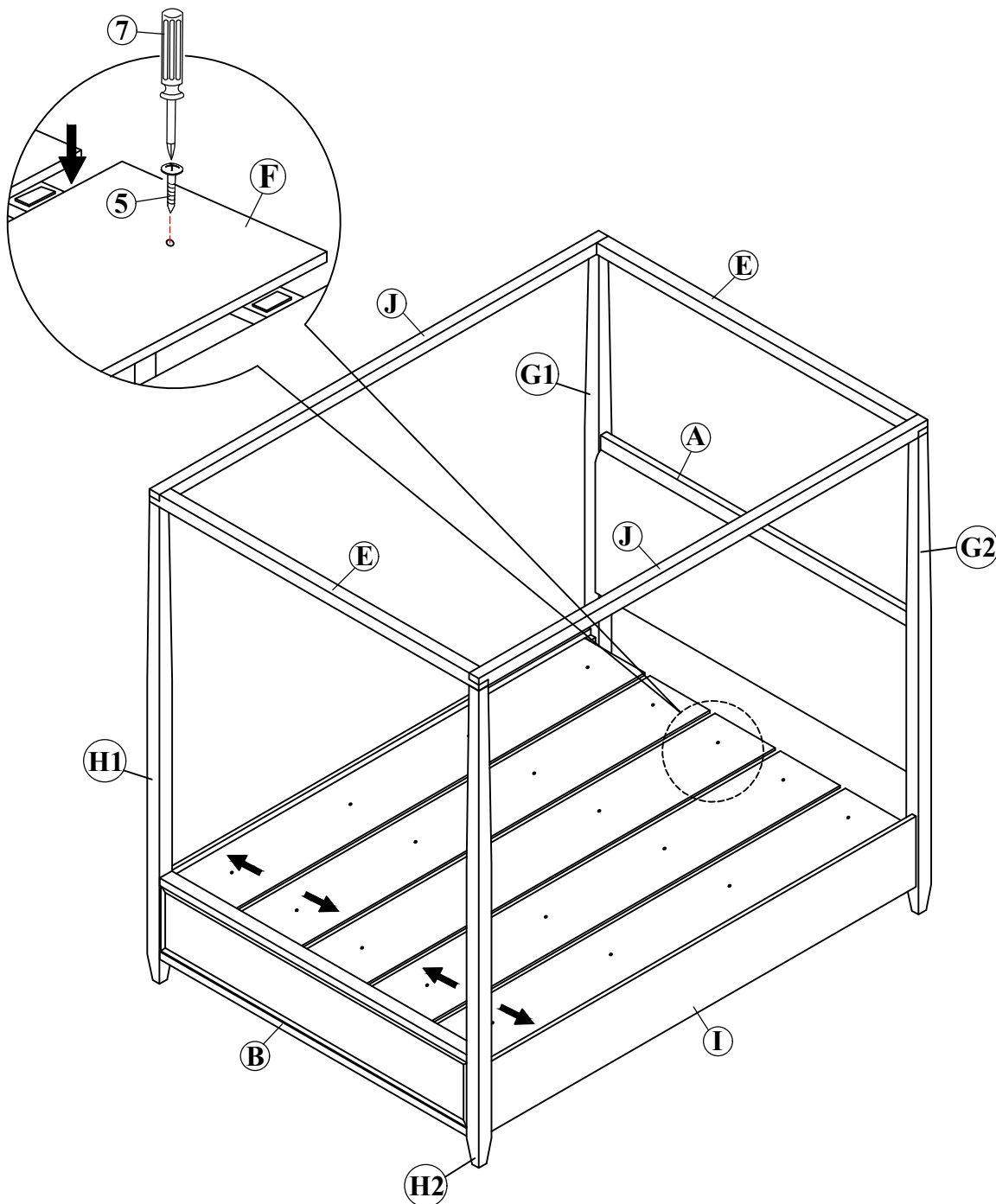
B8250 - Q - BASE SIENNA QUEEN DECKING BOARDS

B8250 - KQ - RAIL SIENNA K/Q RAIL + SIDE CANOPY

+ POST

# ASSEMBLY INSTRUCTIONS

## STEP 7



THE HARDWARE IS LOCATED IN THE PACKING ITEMS

NOTE : MUST TIGHTEN SCREWS PERIODICALLY. WITH USE SCREW MAY BECOME LOOSE.  
CHECK TIGHTNESS OF ALL SCREWS EVERY 6-8 WEEKS.

### CLEANING INSTRUCTION

After assembly, clean & polish the completed parts if necessary with soft cloth and industrial recognized furniture polish

MADE IN MALAYSIA