



ASSEMBLY INSTRUCTIONS




CROWN MARK (CRWN)

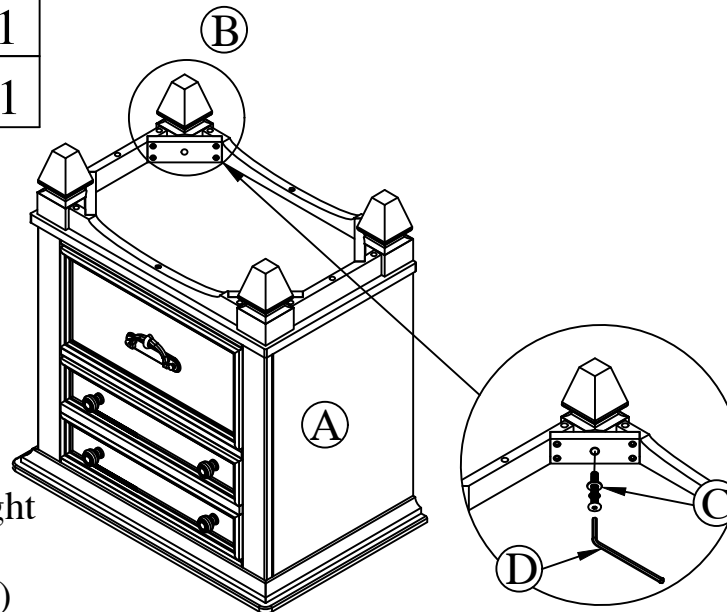
MODEL: B9100-2 SAWYER NIGHT STAND

Thank you for purchasing this quality product. Be sure to check all packing material carefully for small parts which may have come loose inside the carton during shipment. Identify and count all parts and compare with hardware list as below:

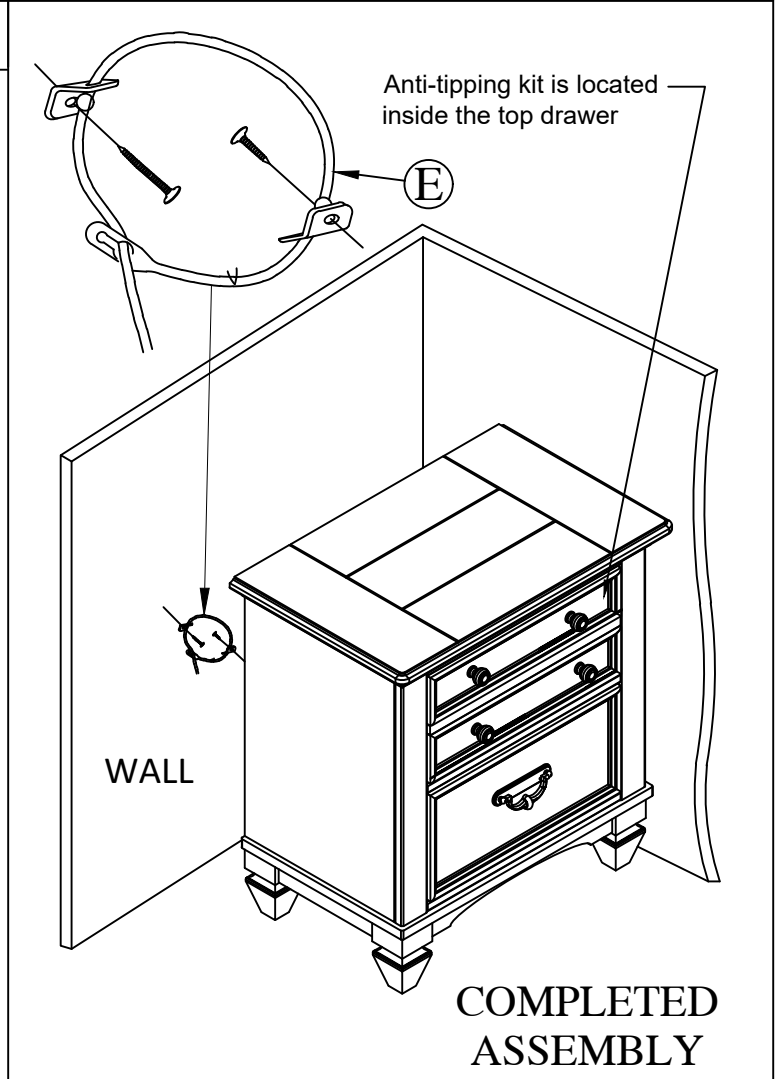
STEP 1

(BOX 1) BOX OF NIGHT STAND			
ITEM	DRAWING	DESCRIPTION	QTY
A		NIGHT STAND	1
B		BOTTOM LEG	4

(BOX 1) BOX OF NIGHT STAND (HARDWARE LIST)				
ITEM	DRAWING	DESCRIPTION	DIMENSION	QTY
C		JCBC (M8) WITH WASHER	8 x P1.0 x 50MM	4
D		ALLEN KEY M5	5 x 35 x 55MM	1
E		TIPPING RESTRAINT	—	1



Step 1 : Attach and tighten the Night STAND bottom leg (B) to the bottom frame and insert JCBB (C) With Washer (D) as shown.



NOTE: PERIODICALLY CHECK TO ENSURE THAT ALL CONNECTORS (BOLTS, SCREWS, ETC) ARE TIGHT.

CLEANING INSTRUCTION

After assembled, clean & polish the complete parts if necessary with soft cloth and industrial recognized furniture polish.

THE ANTI TIPPING HARDWARE IS LOCATED IN THE NIGHT STAND FIRST DRAWER

THE HARDWARE IS LOCATED IN THE PACKING ITEMS

MADE IN MALAYSIA