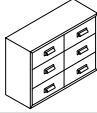


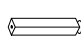






# ASSEMBLY INSTRUCTION

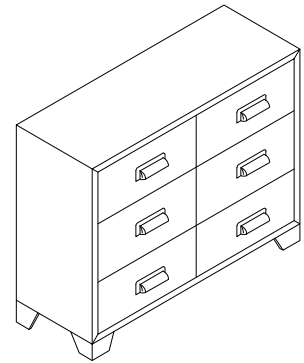
ITEM : B9200-1 / B9220-1 DRESSER

## BOX OF DRESSER PART LIST

| ITEM | DRAWING   | DESCRIPTION                                   | QTY |
|------|---|---|-----|
| A    |  | DRESSER                                       | 1   |
| B    |  | LEG (B)<br>(Located in the bottom drawer)     | 2   |
| C    |  | LEG (C)<br>(Located in the bottom drawer)     | 2   |
| D    |  | SUPPORT LEG<br>(Located in the bottom drawer) | 1   |

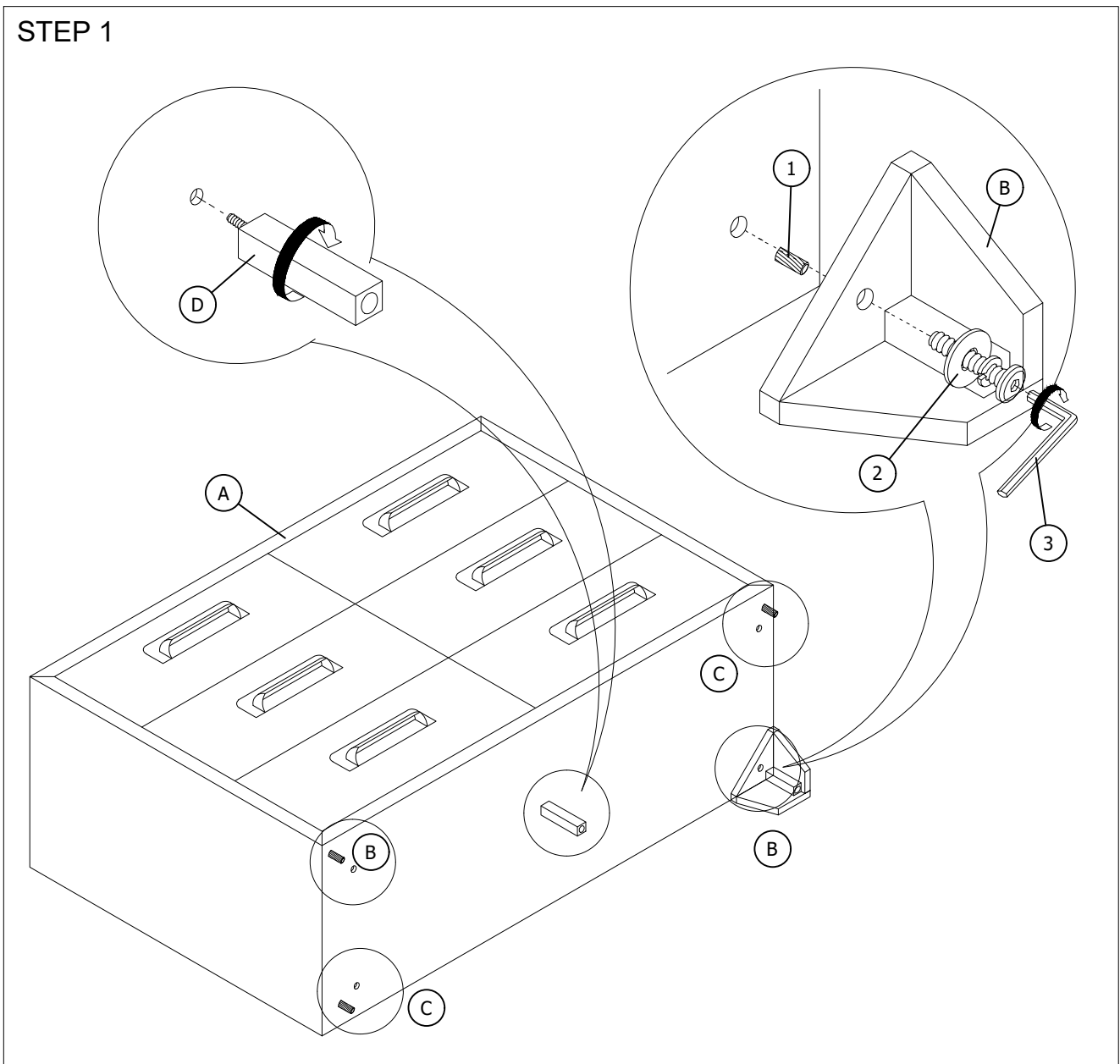
## BOX OF DRESSER HARDWARE LIST

| ITEM | DRAWING   | DESCRIPTION  | QTY |
|------|---|--|-----|
| 1    |  | WOOD DOWEL<br>M8x30mm  | 4   |
| 2    |  | JCBC SCREW<br>M6x40mm  | 4   |
| 3    |  | L-KEY<br>M4x65mm   | 1   |
| 4    |  | TIPPING RESTRAINT<br>(Affix to wall behind dresser)<br>*Located in the right side front drawer | 1   |



COMPLETED DRESSER ASSEMBLY

## STEP 1



THE HARDWARE IS LOCATED IN THE PACKING ITEMS  
THE ANTI TIPPING HARDWARE IS LOCATED IN THE RIGHT SIDE FRONT DRAWER OF DRESSER

PAGE 01 OF 02

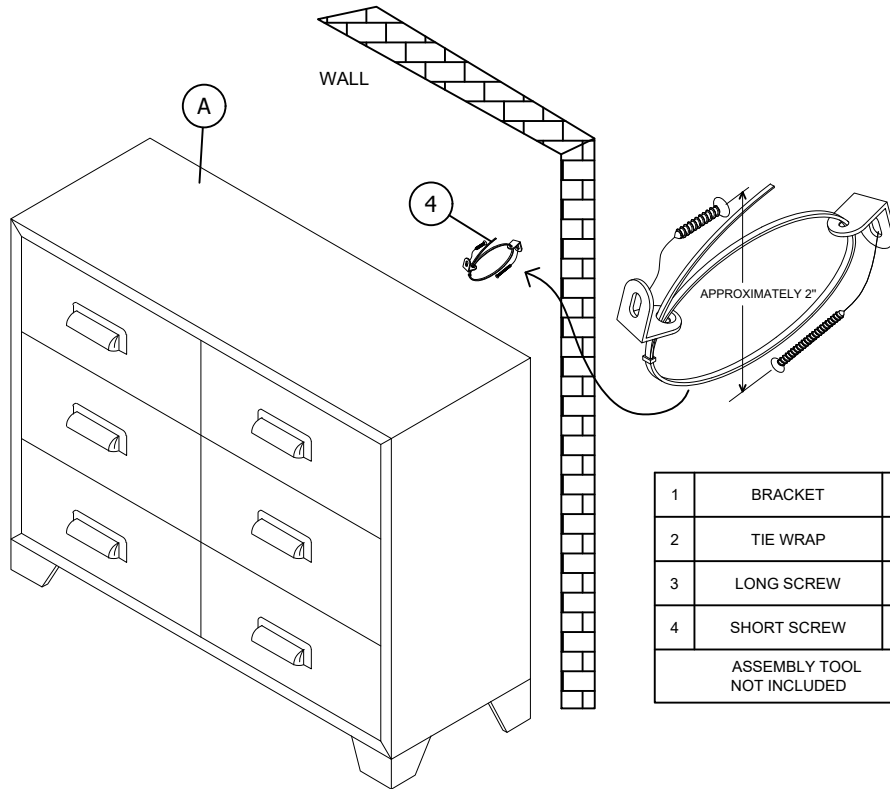
NOTE : Periodically check to ensure that all connectors (bolts, screws, etc.) are tight.



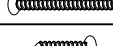


MADE IN MALAYSIA

# ASSEMBLY INSTRUCTION

ITEM : B9200-1 / B9220-1 DRESSER

## STEP 2



|                            |             |   |      |
|----------------------------|-------------|---|------|
| 1                          | BRACKET     |    | 2PCS |
| 2                          | TIE WRAP    |    | 1PC  |
| 3                          | LONG SCREW  |   | 1PC  |
| 4                          | SHORT SCREW |  | 1PC  |
| ASSEMBLY TOOL NOT INCLUDED |             |  |      |

THE HARDWARE IS LOCATED IN THE PACKING ITEMS  
 THE ANTI TIPPING HARDWARE IS LOCATED IN THE RIGHT SIDE FRONT DRAWER OF DRESSER

PAGE 02 OF 02

NOTE : Periodically check to ensure that all connectors (bolts, screws, etc.) are tight.

MADE IN MALAYSIA