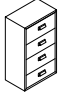








ASSEMBLY INSTRUCTION

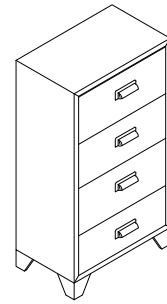
ITEM : B9200-44 / B9220-44 CHEST

BOX OF CHEST PART LIST

ITEM	DRAWING	DESCRIPTION	QTY
A		CHEST	1
B		LEG (B) (Located in the bottom drawer)	2
C		LEG (C) (Located in the bottom drawer)	2

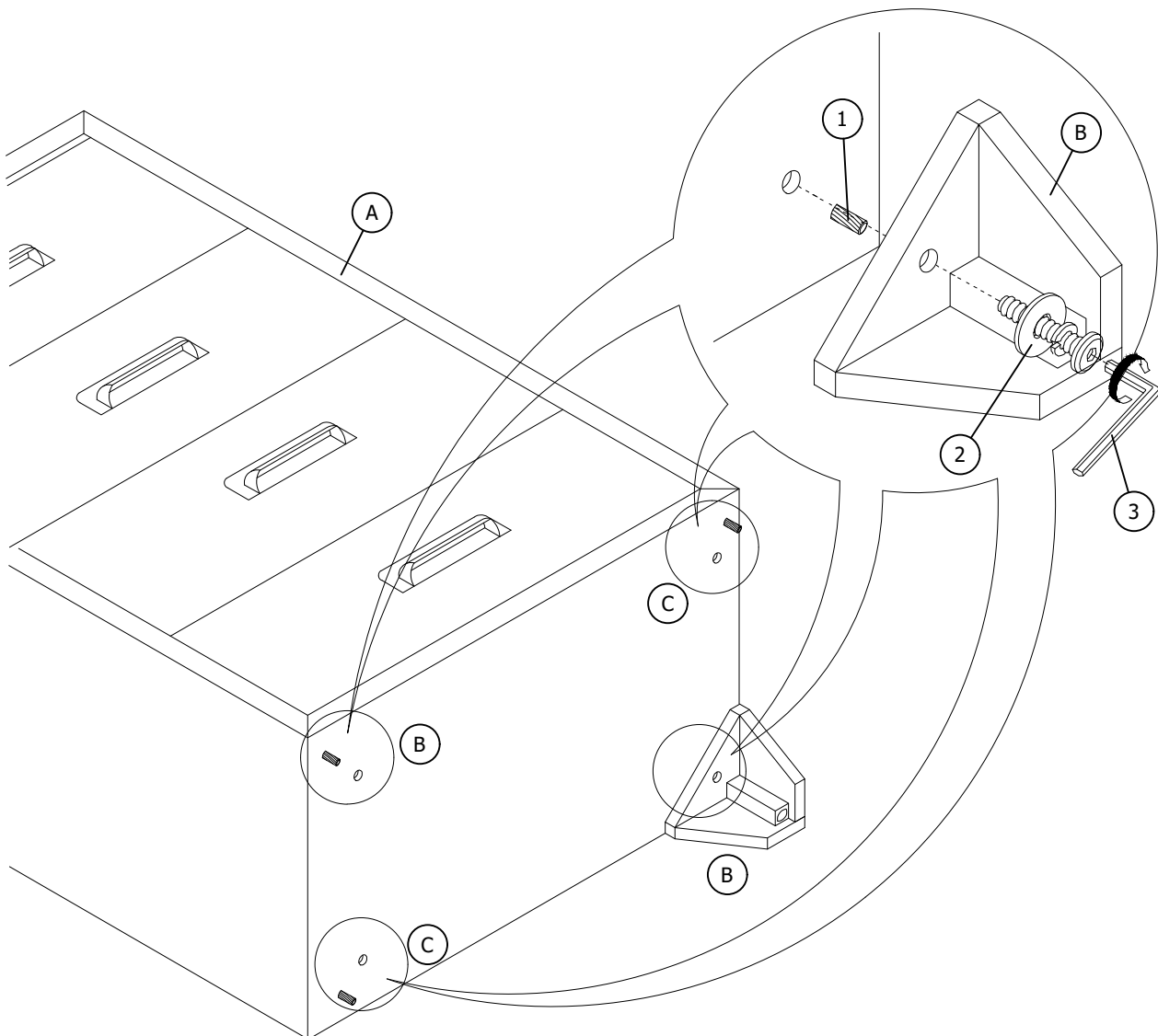
BOX OF CHEST HARDWARE LIST

ITEM	DRAWING	DESCRIPTION	QTY
1		WOOD DOWEL M8x30mm	4
2		JCBC SCREW M6x40mm	4
3		L-KEY M4x65mm	1
4		TIPPING RESTRAINT (Affix to wall behind chest) *Located in the Chest 1st Drawer	1



COMPLETED CHEST ASSEMBLY

STEP 1



THE HARDWARE IS LOCATED IN THE PACKING ITEMS
THE ANTI TIPPING HARDWARE IS LOCATED IN THE CHEST 1ST DRAWER

PAGE 01 OF 02

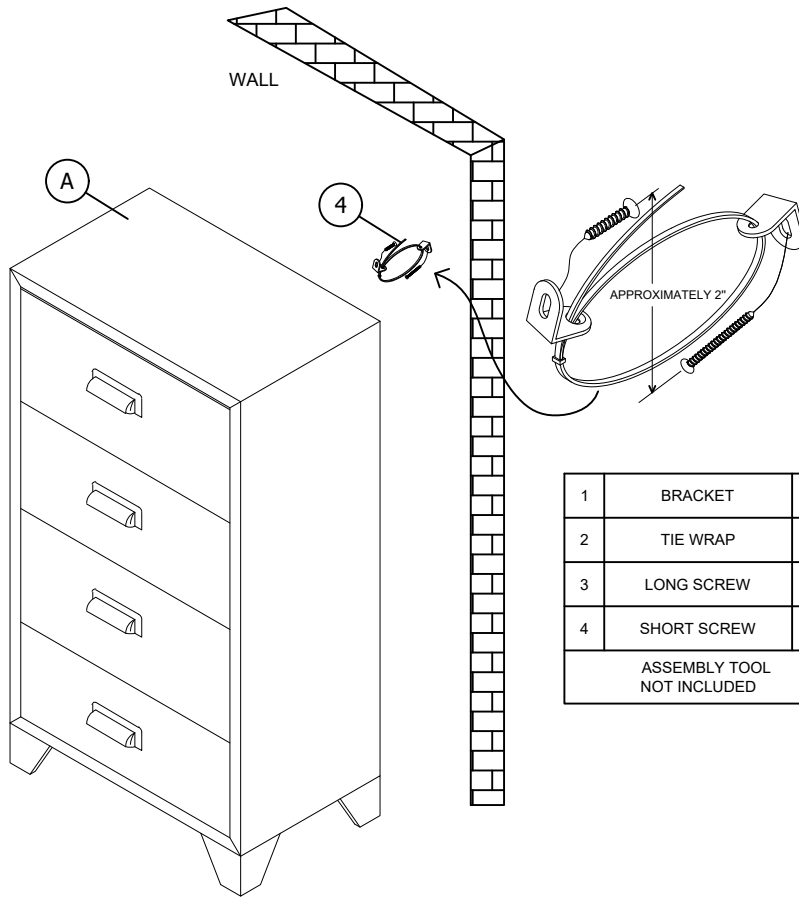
NOTE : Periodically check to ensure that all connectors (bolts, screws, etc.) are tight.



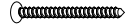


MADE IN MALAYSIA

ASSEMBLY INSTRUCTION

ITEM : B9200-44 / B9220-44 CHEST

STEP 2



1	BRACKET		2PCS
2	TIE WRAP		1PC
3	LONG SCREW		1PC
4	SHORT SCREW		1PC
ASSEMBLY TOOL NOT INCLUDED			

THE HARDWARE IS LOCATED IN THE PACKING ITEMS
THE ANTI TIPPING HARDWARE IS LOCATED IN THE CHEST 1ST DRAWER

PAGE 02 OF 02

NOTE : Periodically check to ensure that all connectors (bolts, screws, etc.) are tight.

MADE IN MALAYSIA