



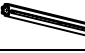


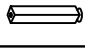






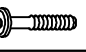
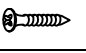
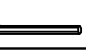

# ASSEMBLY INSTRUCTION

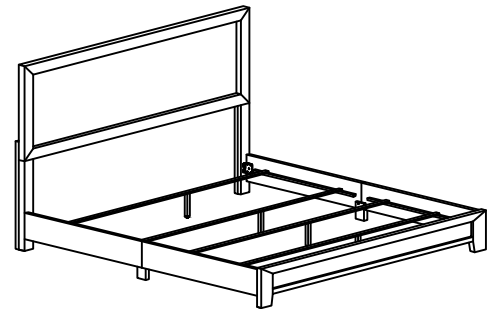
ITEM : B9200/B9220-F-BED / B9200/B9220-Q-BED  
FULL / QUEEN BED

## BOX OF BED PART LIST

ITEM	DRAWING	DESCRIPTION	QTY
A		HEAD BOARD	1
B		HEAD BOARD LEG (L)	1
C		HEAD BOARD LEG (R)	1
D		FOOT BOARD	1
E		SIDE RAIL	2
F		SIDE RAIL	2
G		SLAT	4
H		SUPPORT LEG	4
I		SIDE RAIL SUPPORT LEG	2

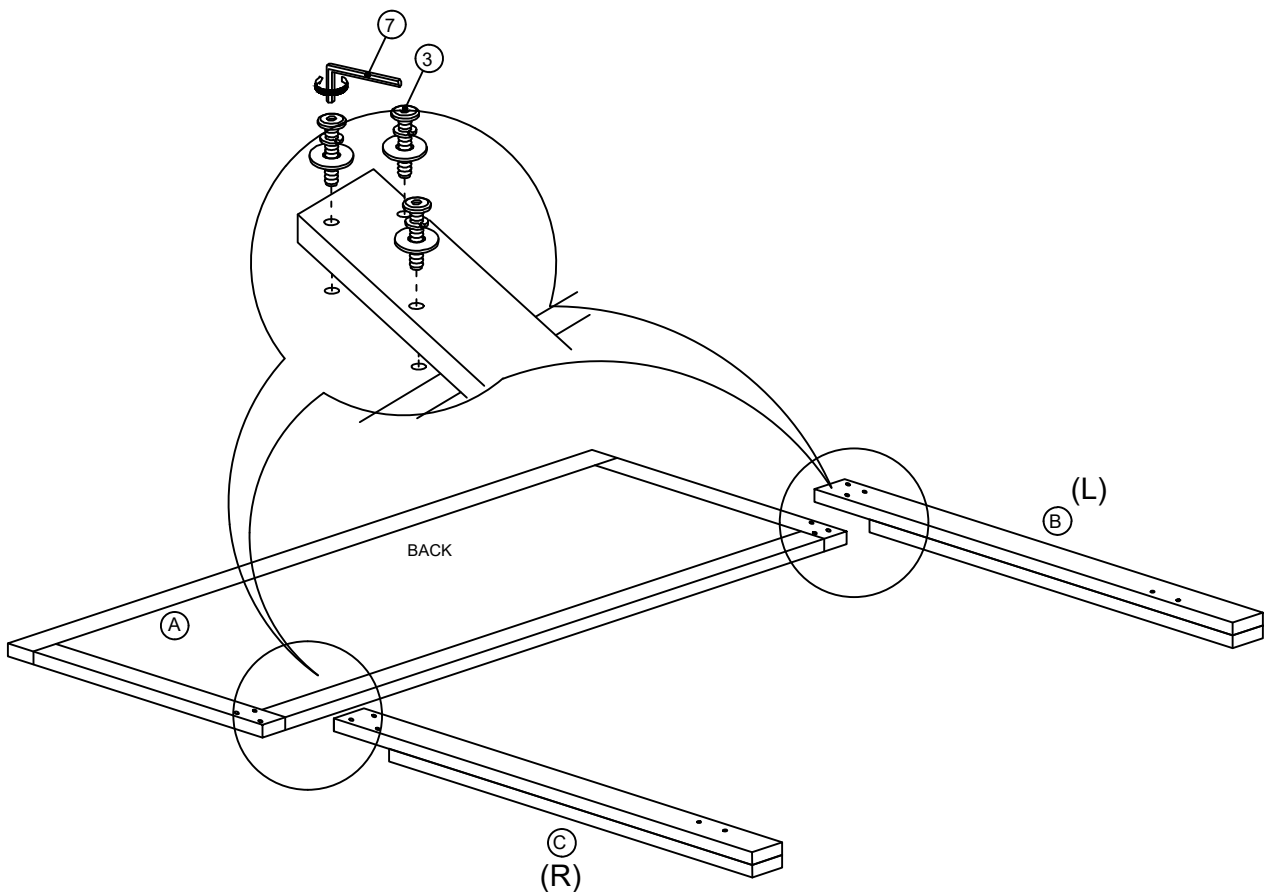
## BOX OF BED HARDWARE LIST

ITEM	DRAWING	DESCRIPTION	QTY
1		JCBB SCREW M8x16mm	8
2		JCBB SCREW M8x30mm	8
3		JCBB SCREW M8x40mm	6
4		JCBC SCREW M6x35mm	4
5		CSK SCREW M4x32mm	8
6		L-KEY M4x65mm	1
7		L-KEY M5x65mm	1



COMPLETED BED ASSEMBLY

## STEP 1



THE HARDWARE IS LOCATED IN THE PACKING ITEMS

PAGE 01 OF 02

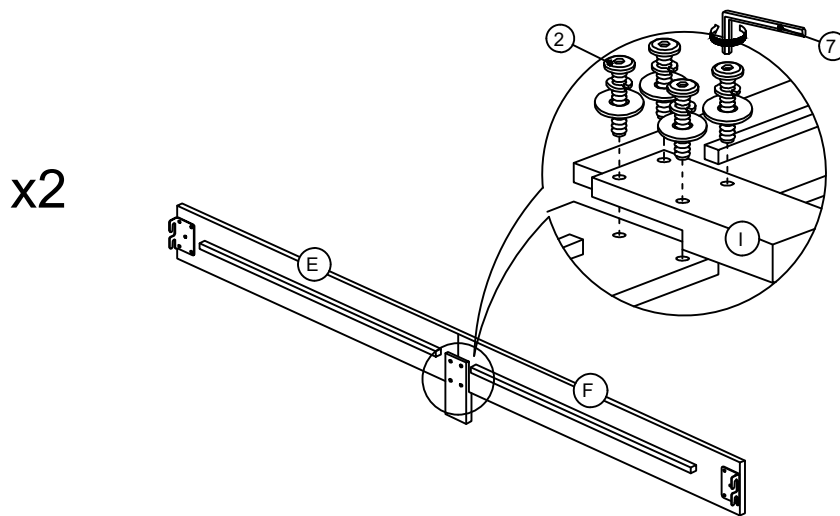
NOTE : Periodically check to ensure that all connectors (bolts, screws, etc.) are tight.

MADE IN MALAYSIA

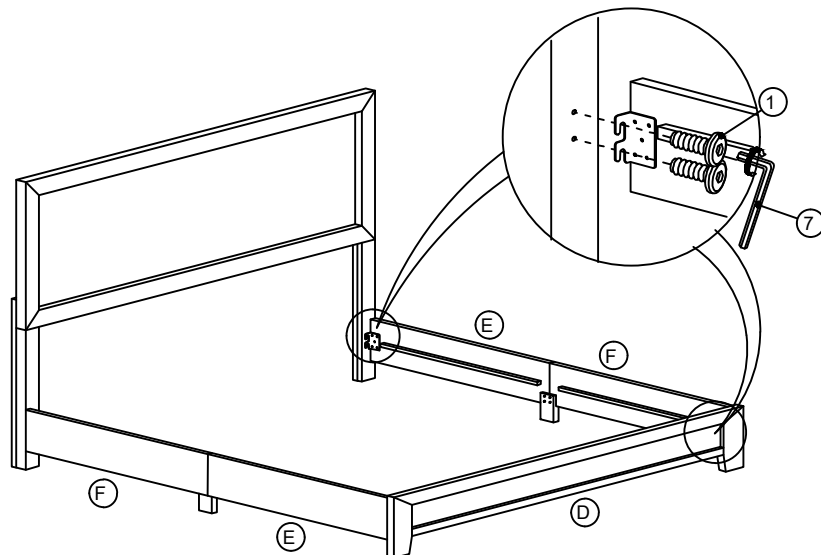
# ASSEMBLY INSTRUCTION

ITEM : B9200/B9220-F-BED / B9200/B9220-Q-BED  
FULL / QUEEN BED

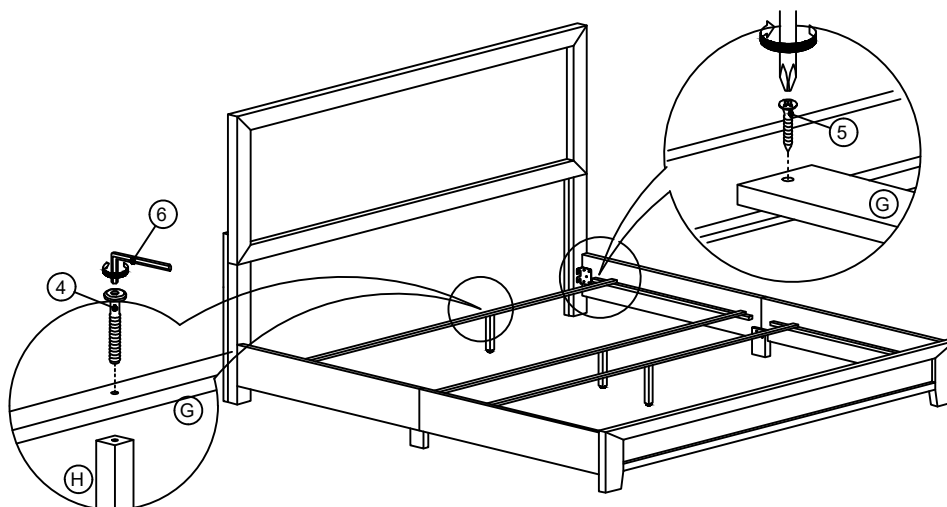
STEP 2



STEP 3



STEP 4



THE HARDWARE IS LOCATED IN THE PACKING ITEMS

PAGE 02 OF 02

NOTE : Periodically check to ensure that all connectors (bolts, screws, etc.) are tight.

MADE IN MALAYSIA