




ASSEMBLY INSTRUCTIONS

ITEM : B9240-1 & B9240-11
DRESSER & MIRROR



BOX OF DRESSER PART LIST

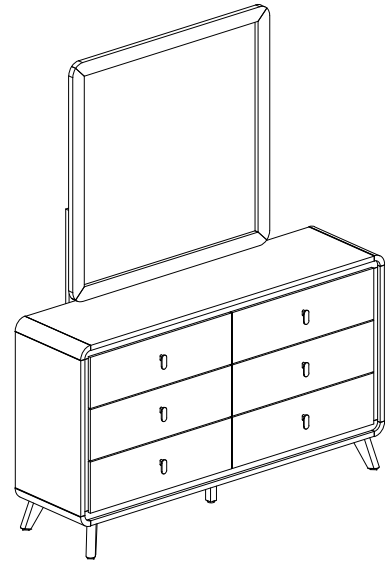
| ITEM | DRAWING | DESCRIPTION | QTY |
|------|---|-------------|-----|
| A |  | DRESSER | 1 |

BOX OF MIRROR PART LIST

| | | | |
|---|---|----------------|---|
| B |  | MIRROR SUPPORT | 2 |
| C |  | MIRROR | 1 |

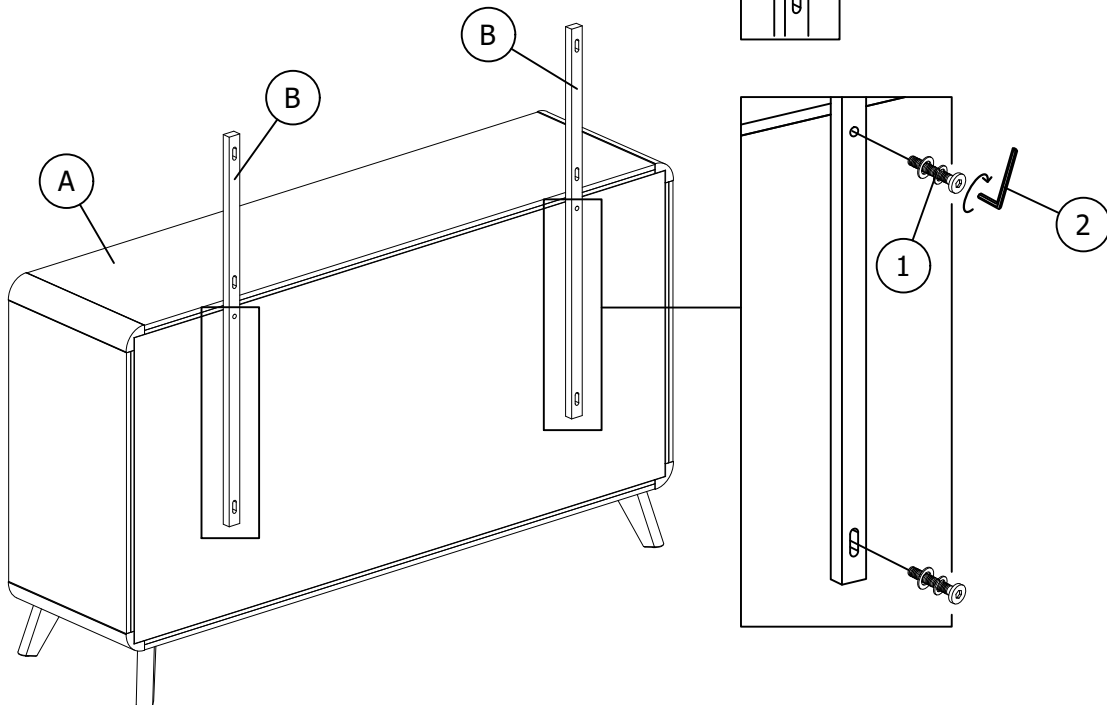
BOX OF MIRROR HARDWARE LIST

| ITEM | DRAWING | DESCRIPTION | QTY |
|------|---|----------------------|-----|
| 1 |  | JCBC Screw M6 x 40MM | 8 |
| 2 |  | ALLEN KEY M4 | 1 |



COMPLETED ASSEMBLY

STEP 1



THE HARDWARE IS LOCATED IN THE PACKING ITEMS
THE ANTI TIPPING HARDWARE IS LOCATED IN THE DRESSER 1ST RIGHT SIDE FRONT DRAWER

PAGE 01 OF 02

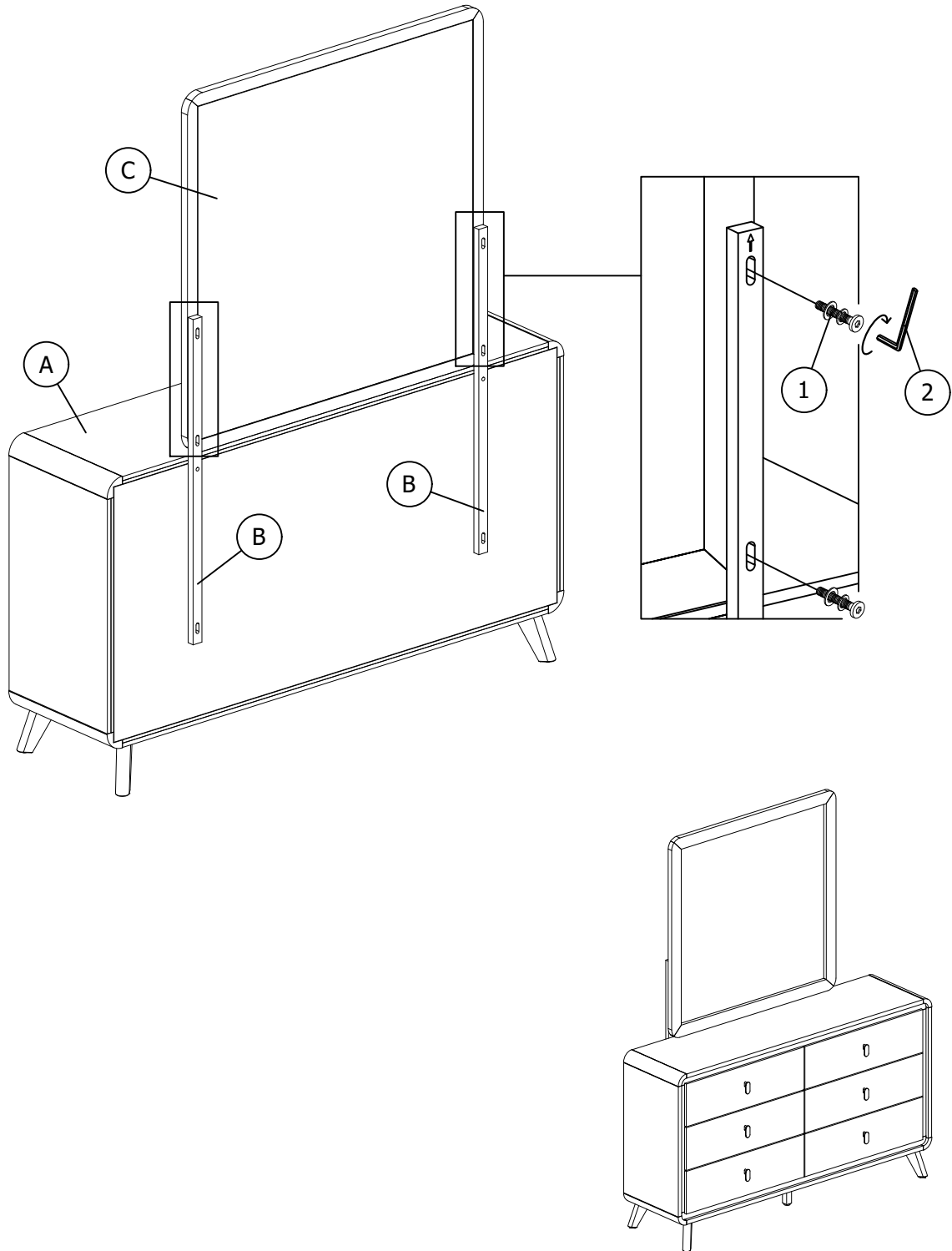
NOTE : MUST TIGHT SCREWS PERIODICALLY. WITH USE SCREWS MAY BECOME LOOSE.
CHECK TIGHTNESS OF ALL SCREWS EVERY 6-8 WEEKS.

MADE IN MALAYSIA

ASSEMBLY INSTRUCTIONS

ITEM : B9240-1 & B9240-11
DRESSER & MIRROR

STEP 2



THE HARDWARE IS LOCATED IN THE PACKING ITEMS
THE ANTI TIPPING HARDWARE IS LOCATED IN THE DRESSER 1ST RIGHT SIDE FRONT DRAWER

PAGE 02 OF 02

NOTE : MUST TIGHT SCREWS PERIODICALLY. WITH USE SCREWS MAY BECOME LOOSE.
CHECK TIGHTNESS OF ALL SCREWS EVERY 6-8 WEEKS.

MADE IN MALAYSIA