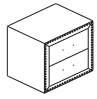







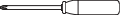
ASSEMBLY INSTRUCTION

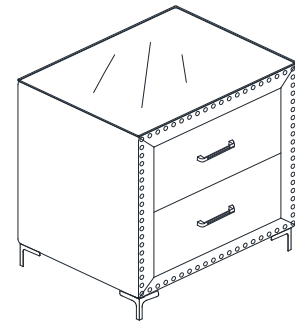
ITEM : B9260-2 / B9265-2 NIGHT STAND

BOX OF NIGHTSTAND NIGHTSTAND

ITEM	DRAWING	DESCRIPTION	QTY
A		NIGHTSTAND	1
B		LEG	4
C		GLASS (Packed in an inner box inside the Nightstand) please handle with care	1
D		TIPPING RESTRAINT (Affix nightstand to wall) *Located in the top Drawer of Night Stand	1

BOX OF NIGHTSTAND HARDWARE LIST

ITEM	DRAWING	DESCRIPTION	QTY
1		JCBC SCREW M6x20mm	8
2		L-KEY M4x65mm	1
		SCREWDRIVER not included	

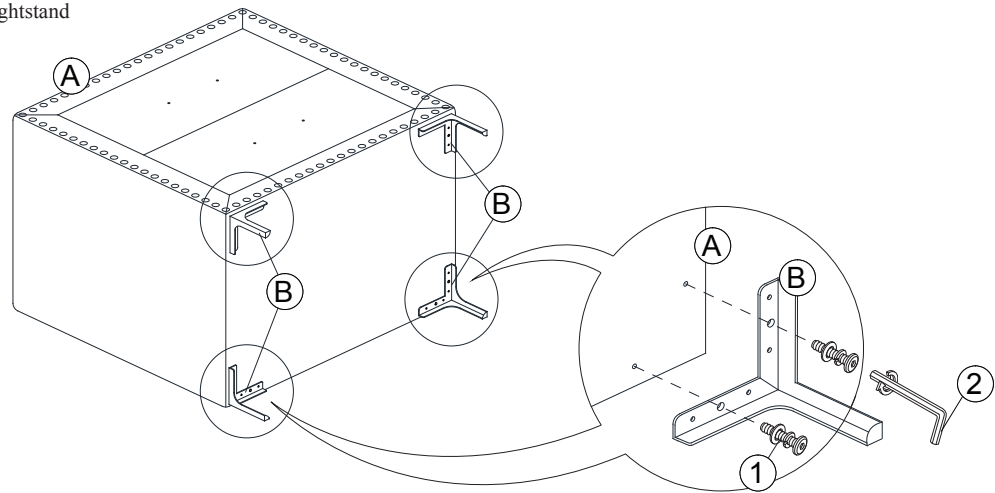


COMPLETED NIGHTSTAND ASSEMBLY

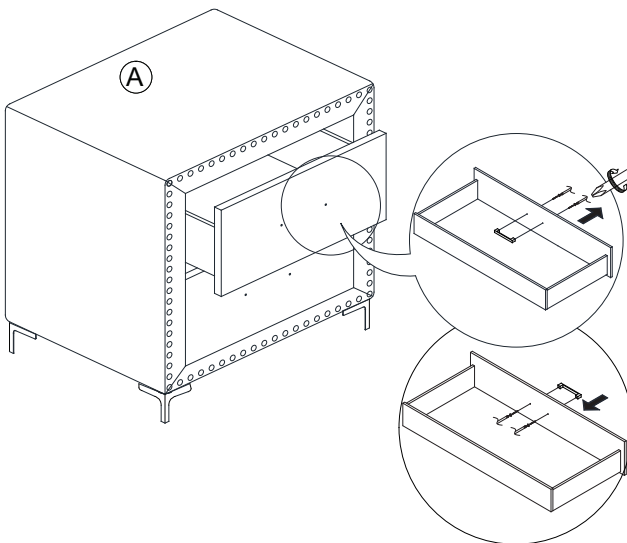
NOTE : GLASS HANDLE WITH CARE "FRAGILE"

STEP 1

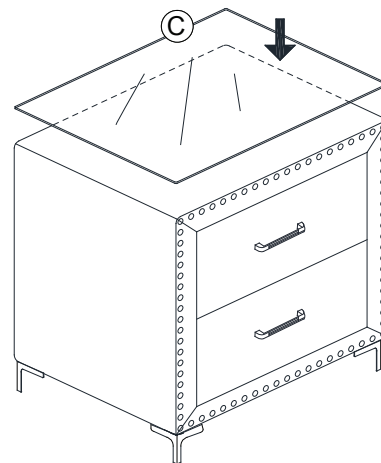
Note : Set aside the carton C " GLASS"
before affixing the legs to the Nightstand



STEP 2



STEP 3



THE HARDWARE IS LOCATED IN THE PACKING ITEMS
THE ANTI TIPPING HARDWARE IS LOCATED IN THE TOP DRAWER OF NIGHT STAND.

NOTE : MUST TIGHTEN SCREWS PERIODICALLY. WITH USE SCREWS MAY BECOME LOOSE.
CHECK TIGHTNESS OF ALL SCREWS EVERY 6-8 WEEKS.

MADE IN MALAYSIA