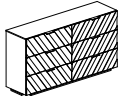


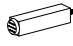


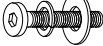
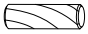


ASSEMBLY INSTRUCTIONS

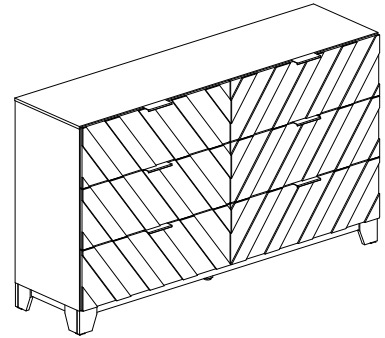
ITEM : B9275-1 DRESSER

BOX OF DRESSER PART LIST

ITEM	DRAWING	DESCRIPTION	QTY
A		DRESSER	1
B		LEG B	2
C		LEG C	2
D		CENTER SUPPORT LEG	1

BOX OF DRESSER HARDWARE LIST

ITEM	DRAWING	DESCRIPTION	QTY
1		JCBB SCREW M8 x 40MM	4 PCS
2		WOOD DOWEL Ø8 x 25MM	4 PCS
3		ALLEN KEY M5 x 65MM	1 PC
4		TIPPING RESTRAINT * Located in the dresser 1st right side front drawer.	1 PC

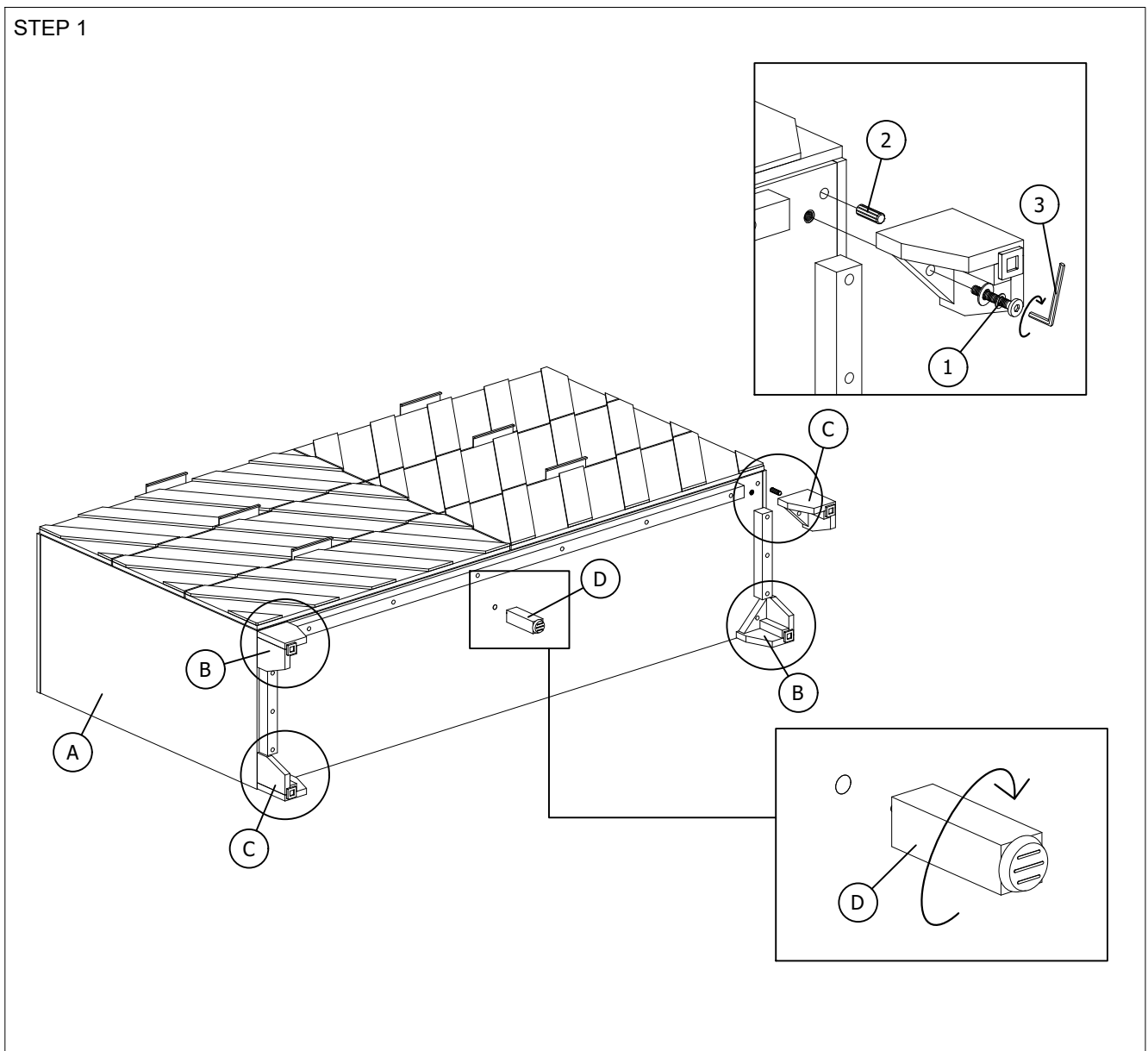


COMPLETED ASSEMBLY

ASSEMBLY TOOLS REQUIRED

SCREWDRIVER (NOT PROVIDED)		1
----------------------------	---	---

STEP 1



THE HARDWARE IS LOCATED IN THE PACKING ITEMS

THE ANTI TIPPING HARDWARE IS LOCATED IN THE DRESSER 1ST RIGHT SIDE FRONT DRAWER

PAGE 01 OF 02

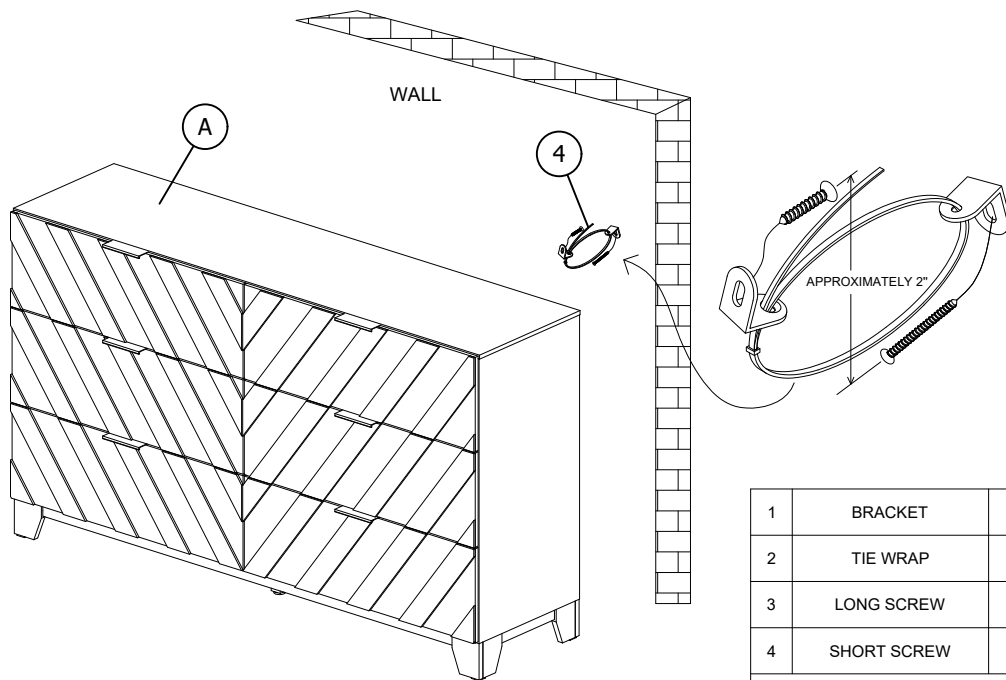
NOTE : Periodically check to ensure that all connectors (bolts, screws, etc.) are tight.






MADE IN MALAYSIA

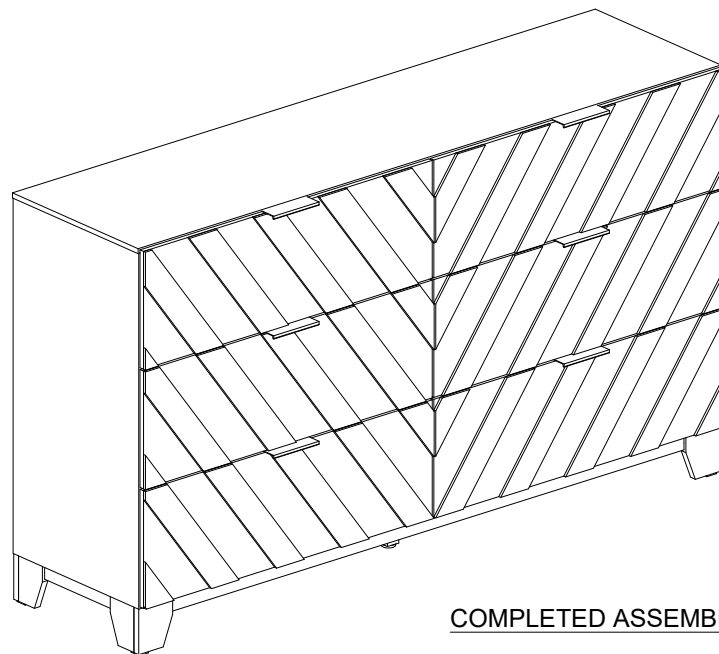
ASSEMBLY INSTRUCTIONS

ITEM : B9275-1 DRESSER

STEP 2



1	BRACKET		2PCS
2	TIE WRAP		1PC
3	LONG SCREW		1PC
4	SHORT SCREW		1PC
ASSEMBLY TOOL NOT INCLUDED			



COMPLETED ASSEMBLY

THE HARDWARE IS LOCATED IN THE PACKING ITEMS

THE ANTI TIPPING HARDWARE IS LOCATED IN THE DRESSER 1ST RIGHT SIDE FRONT DRAWER

PAGE 02 OF 02

NOTE : Periodically check to ensure that all connectors (bolts, screws, etc.) are tight.

MADE IN MALAYSIA