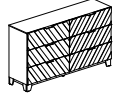



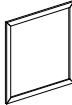
ASSEMBLY INSTRUCTIONS

ITEM : B9275-1 & B9275-11 DRESSER & MIRROR

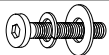

BOX OF DRESSER PART LIST

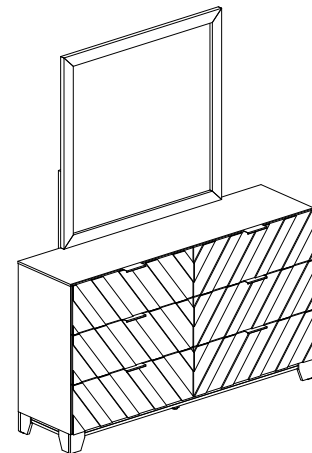
ITEM	DRAWING	DESCRIPTION	QTY
A		DRESSER (FROM DRESSER BOX)	1 PC

BOX OF MIRROR PART LIST

ITEM	DRAWING	DESCRIPTION	QTY
B		MIRROR SUPPORT	2 PCS
C		MIRROR	1 PC

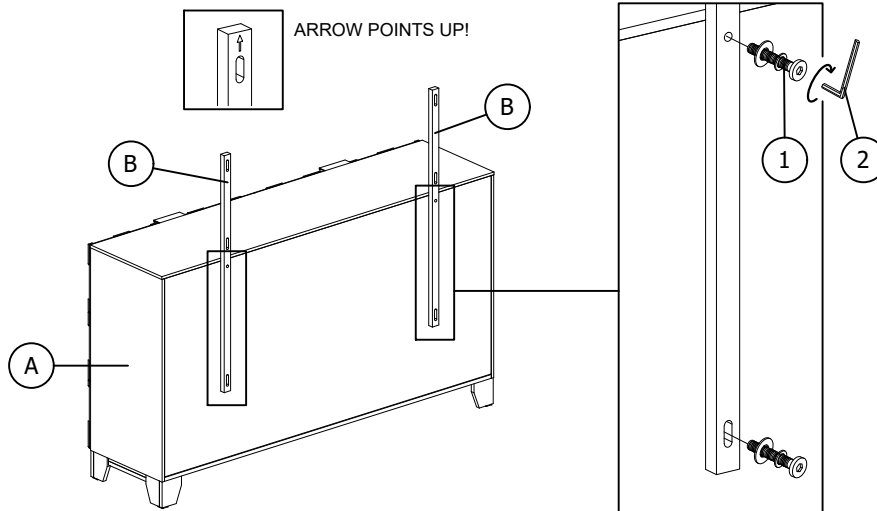
BOX OF MIRROR HARDWARE LIST

ITEM	DRAWING	DESCRIPTION	QTY
1		JCBC SCREW M6 x 40MM	8 PCS
2		ALLEN KEY M4 x 65MM	1 PC

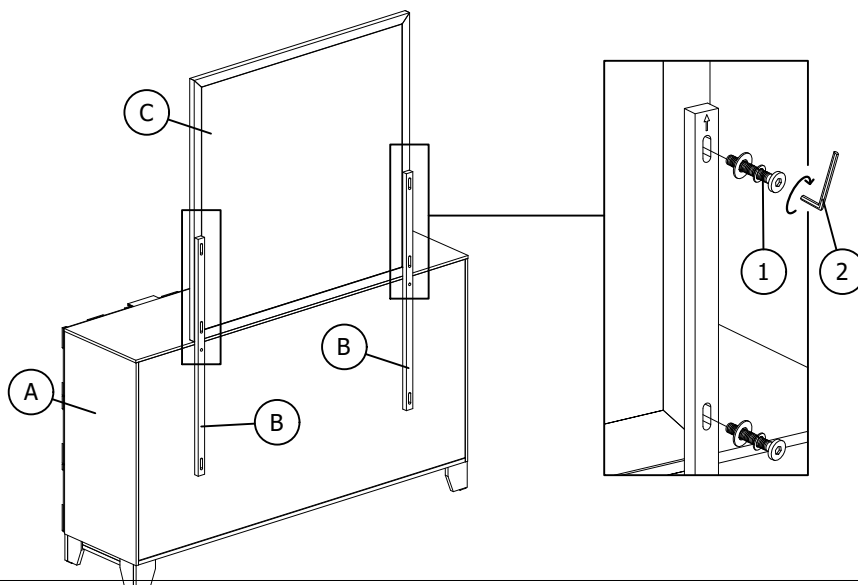


COMPLETED ASSEMBLY

STEP 1



STEP 2



THE HARDWARE IS LOCATED IN THE PACKING ITEMS
 THE ANTI TIPPING HARDWARE IS LOCATED IN THE DRESSER 1ST RIGHT SIDE FRONT DRAWER

NOTE : Periodically check to ensure that all connectors (bolts, screws, etc.) are tight.