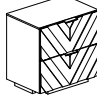




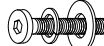
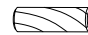

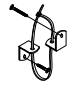
ASSEMBLY INSTRUCTIONS

ITEM : B9275-2 NIGHT STAND

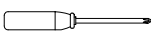
BOX OF NIGHTSTAND PART LIST

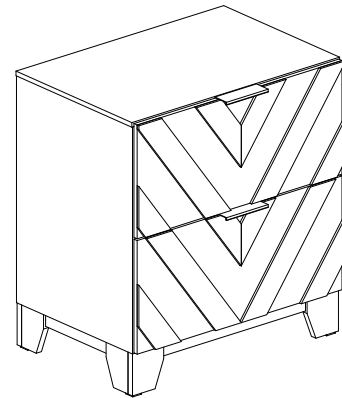
ITEM	DRAWING	DESCRIPTION	QTY
A		NIGHTSTAND	1
B		LEG B	2
C		LEG C	2

BOX OF NIGHTSTAND HARDWARE LIST

ITEM	DRAWING	DESCRIPTION	QTY
1		JCB SCREW M8 x 40MM	4 PCS
2		WOOD DOWEL Ø8 x 25MM	4 PCS
3		ALLEN KEY M5 x 65MM	1 PC
4		TIPPING RESTRAINT * Located in the nightstand 1st drawer.	1 PC

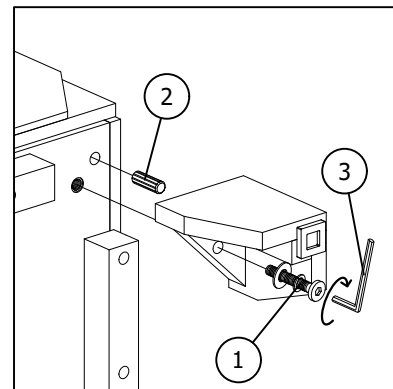
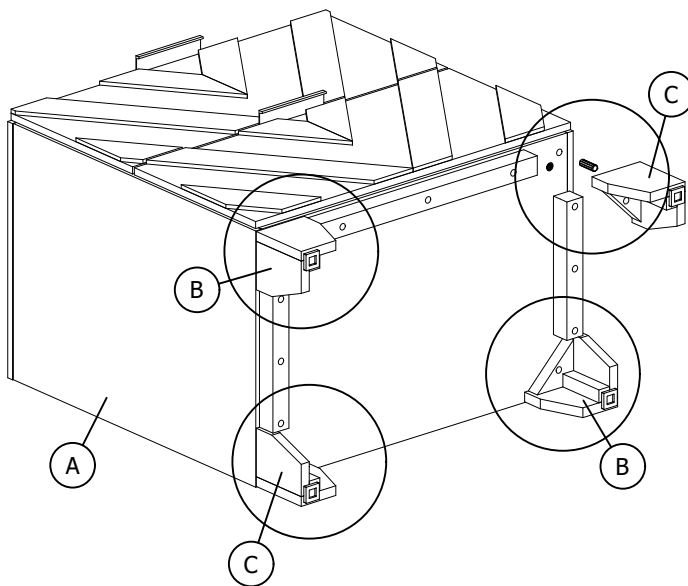
ASSEMBLY TOOLS REQUIRED

SCREWDRIVER (NOT PROVIDED)		1
----------------------------	---	---



COMPLETED ASSEMBLY

STEP 1



THE HARDWARE IS LOCATED IN THE PACKING ITEMS
THE ANTI TIPPING HARDWARE IS LOCATED IN THE NIGHTSTAND 1ST DRAWER

PAGE 01 OF 02

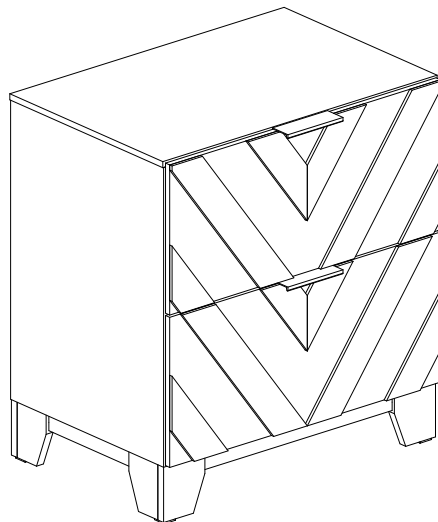
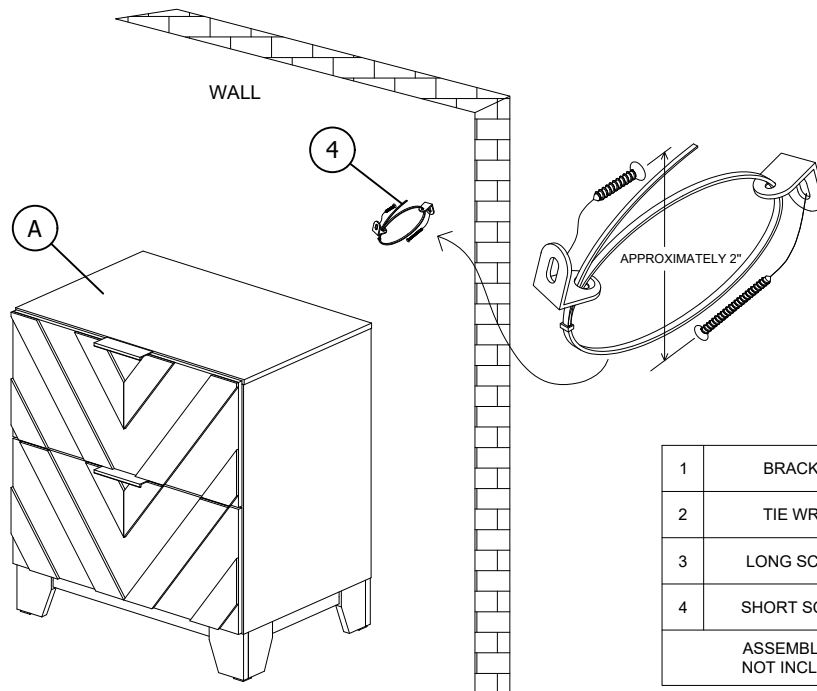
NOTE : Periodically check to ensure that all connectors (bolts, screws, etc.) are tight.

MADE IN MALAYSIA

ASSEMBLY INSTRUCTIONS

ITEM : B9275-2 NIGHT STAND

STEP 2



COMPLETED ASSEMBLY

THE HARDWARE IS LOCATED IN THE PACKING ITEMS
THE ANTI TIPPING HARDWARE IS LOCATED IN THE NIGHTSTAND 1ST DRAWER

PAGE 02 OF 02

NOTE : Periodically check to ensure that all connectors (bolts, screws, etc.) are tight.

MADE IN MALAYSIA