




# ASSEMBLY INSTRUCTIONS

ITEM : B9285-1 & B9285-11 DRESSER & MIRROR

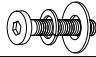


**BOX OF DRESSER PART LIST**

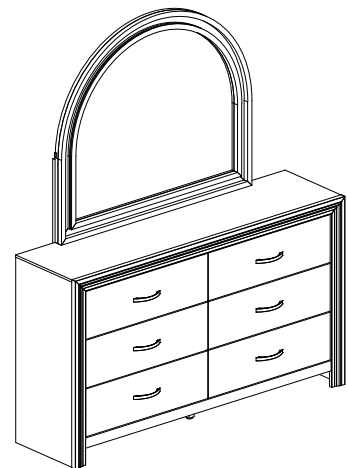
ITEM	DRAWING	DESCRIPTION	QTY
A		DRESSER (FROM DRESSER BOX)	1 PC

**BOX OF MIRROR PART LIST**

ITEM	DRAWING	DESCRIPTION	QTY
B		MIRROR SUPPORT	2 PCS
C		MIRROR	1 PC

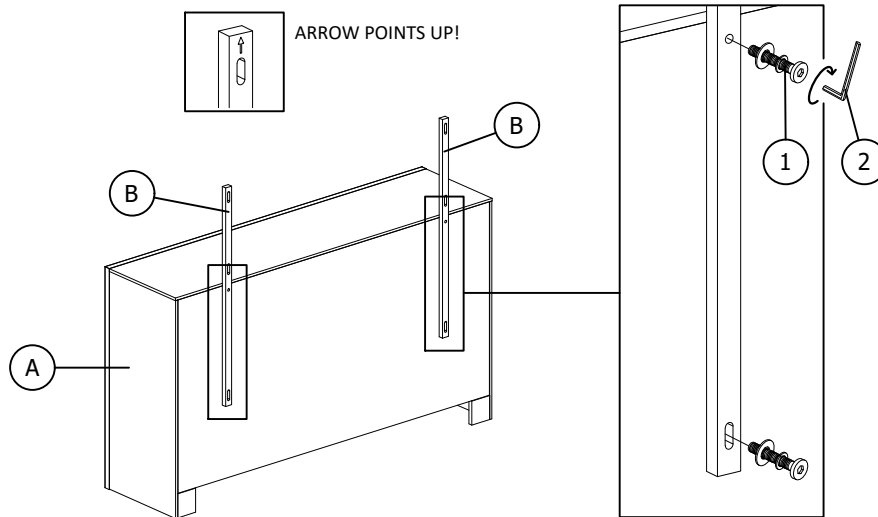
**BOX OF MIRROR HARDWARE LIST**

ITEM	DRAWING	DESCRIPTION	QTY
1		JCBC SCREW M6 x 35MM	8 PCS
2		ALLEN KEY M4 x 65MM	1 PC
3		ADAPTOR	1 PC

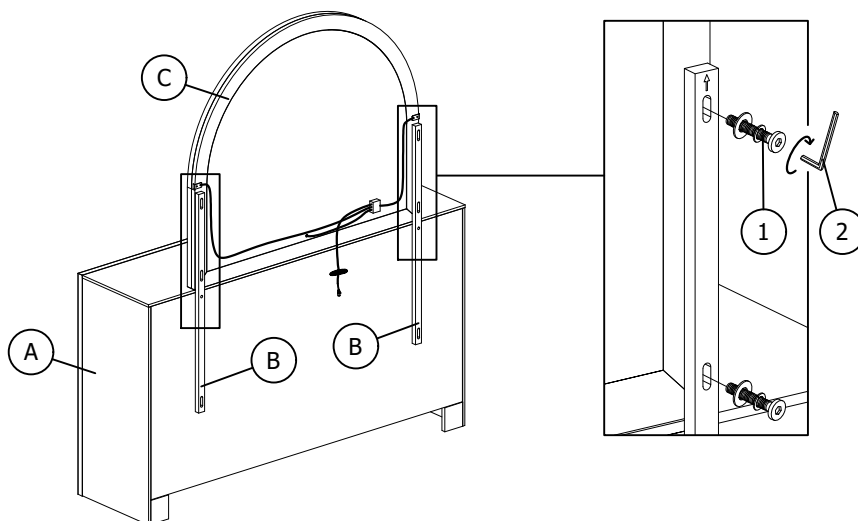


COMPLETED ASSEMBLY

**STEP 1**



**STEP 2**



THE HARDWARE IS LOCATED IN THE PACKING ITEMS  
 THE ANTI TIPPING HARDWARE IS LOCATED IN THE DRESSER 1ST RIGHT SIDE FRONT DRAWER

PAGE 01 OF 02

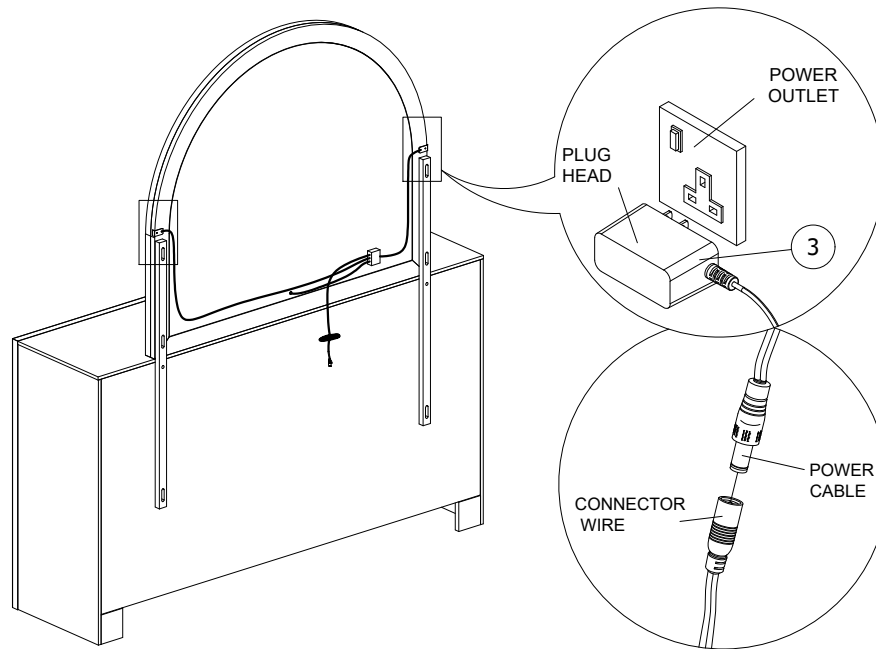
NOTE : Periodically check to ensure that all connectors (bolts, screws, etc.) are tight.

MADE IN MALAYSIA

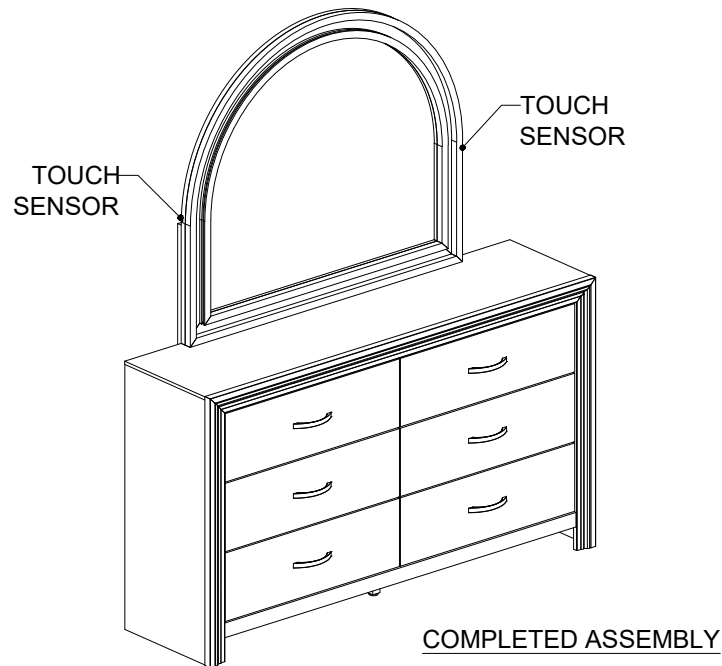
# ASSEMBLY INSTRUCTIONS

ITEM : B9285-1 & B9285-11 DRESSER & MIRROR

## STEP 3



## STEP 4



THE HARDWARE IS LOCATED IN THE PACKING ITEMS  
THE ANTI TIPPING HARDWARE IS LOCATED IN THE DRESSER 1ST RIGHT SIDE FRONT DRAWER

PAGE 02 OF 02

NOTE : Periodically check to ensure that all connectors (bolts, screws, etc.) are tight.

MADE IN MALAYSIA