



ASSEMBLY INSTRUCTIONS

ITEM : B9285-2 NIGHTSTAND

BOX OF NIGHTSTAND PART LIST

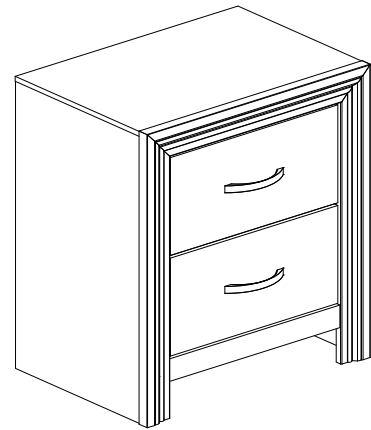
ITEM	DRAWING	DESCRIPTION	QTY
A		NIGHTSTAND	1

BOX OF NIGHTSTAND HARDWARE LIST

ITEM	DRAWING	DESCRIPTION	QTY
1		TIPPING RESTRAINT * Located in the nightstand 1st drawer.	1 PC

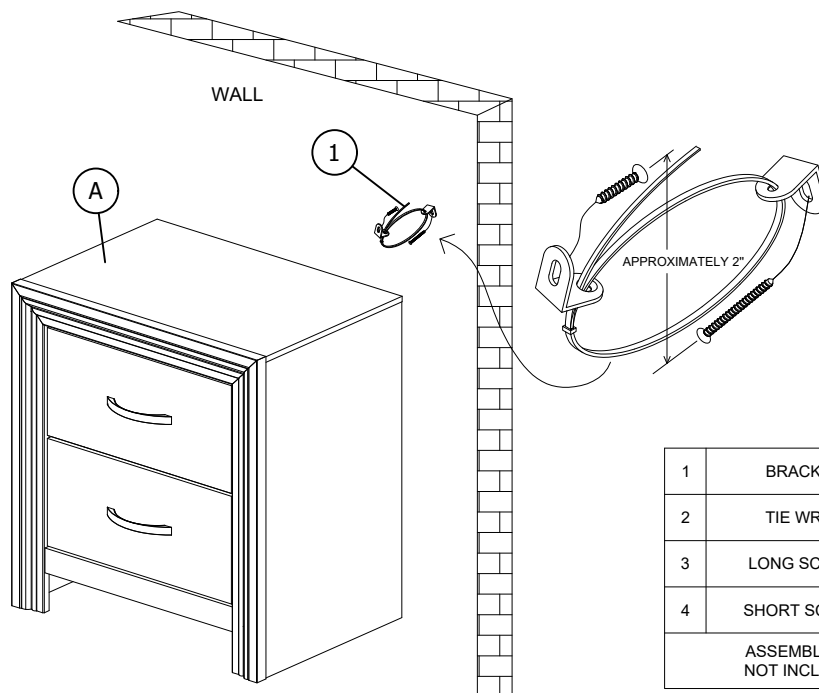
ASSEMBLY TOOLS REQUIRED






SCREWDRIVER (NOT PROVIDED)		1
-------------------------------	---	---



COMPLETED ASSEMBLY

STEP 1



1	BRACKET		2PCS
2	TIE WRAP		1PC
3	LONG SCREW		1PC
4	SHORT SCREW		1PC
ASSEMBLY TOOL NOT INCLUDED			

THE HARDWARE IS LOCATED IN THE PACKING ITEMS
THE ANTI TIPPING HARDWARE IS LOCATED IN THE NIGHTSTAND 1ST DRAWER

PAGE 01 OF 01

NOTE : Periodically check to ensure that all connectors (bolts, screws, etc.) are tight.

MADE IN MALAYSIA