

ASSEMBLY INSTRUCTIONS

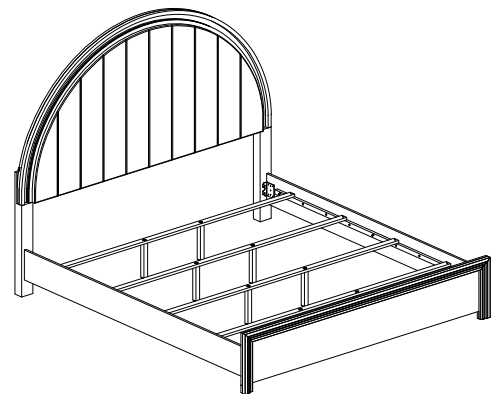
ITEM : B9285-K-HBFB / B9285-KQ-RAIL KING BED

BOX 1 OF HEADBOARD/FOOTBOARD PART LIST

ITEM	DRAWING	DESCRIPTION	QTY
A		HEADBOARD	1
B		HEADBOARD LEG (L)	1
C		HEADBOARD LEG (R)	1
D		FOOTBOARD	1
E		SLAT	4
F		CENTER SUPPORT	8

BOX 1 OF HEADBOARD/FOOTBOARD HARDWARE LIST

ITEM	DRAWING	DESCRIPTION	QTY
1		JCBB SCREW M8 x 16MM	8
2		JCBB SCREW M8 x 35MM	6
3		ALLEN KEY M5	1
4		CSK SCREW M4 x 32MM	8
5		ADAPTOR	1



COMPLETED ASSEMBLY

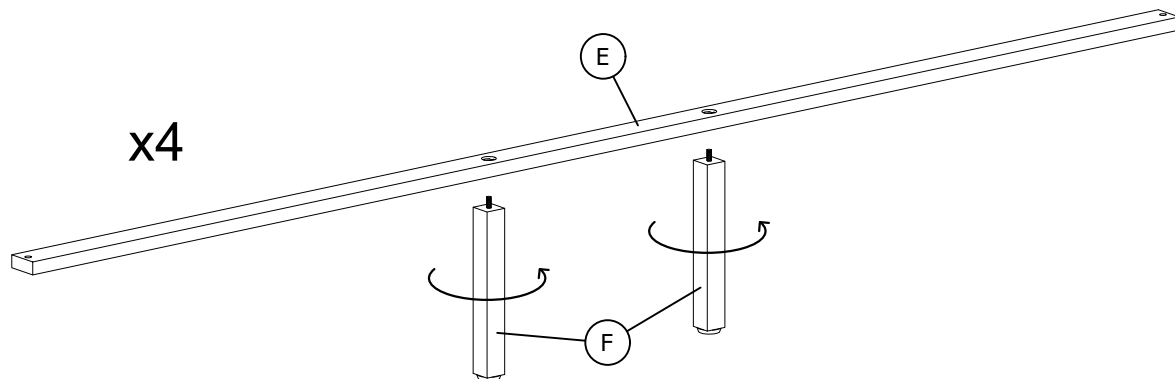
BOX 2 OF SIDE RAIL PART LIST

ITEM	DRAWING	DESCRIPTION	QTY
G		SIDE RAIL	2

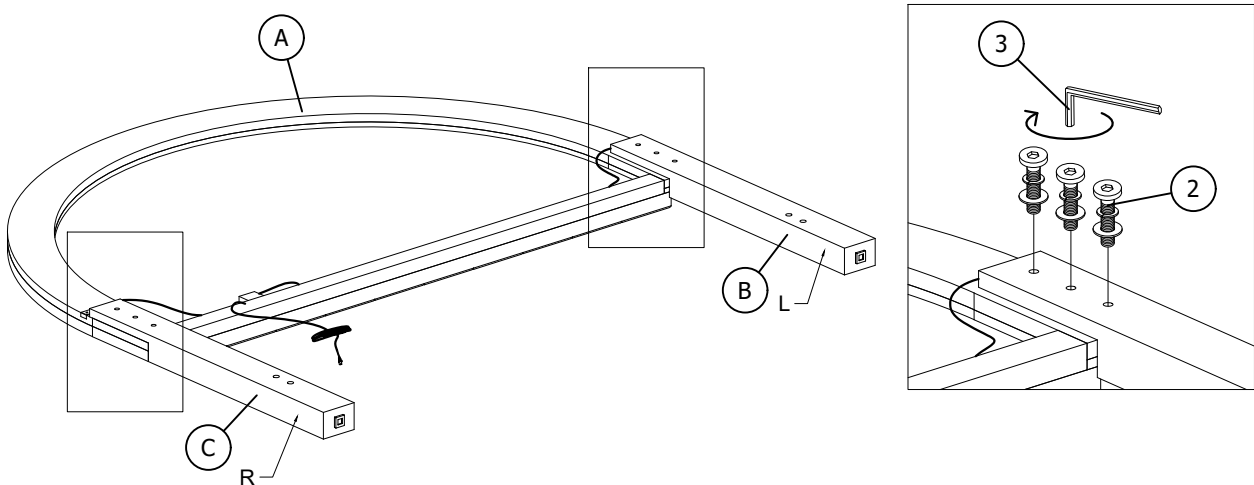
ASSEMBLY TOOLS REQUIRED

	SCREWDRIVER (NOT PROVIDED)
--	----------------------------

STEP 1



STEP 2



THE HARDWARE IS LOCATED IN THE PACKING ITEMS

PAGE 01 OF 03

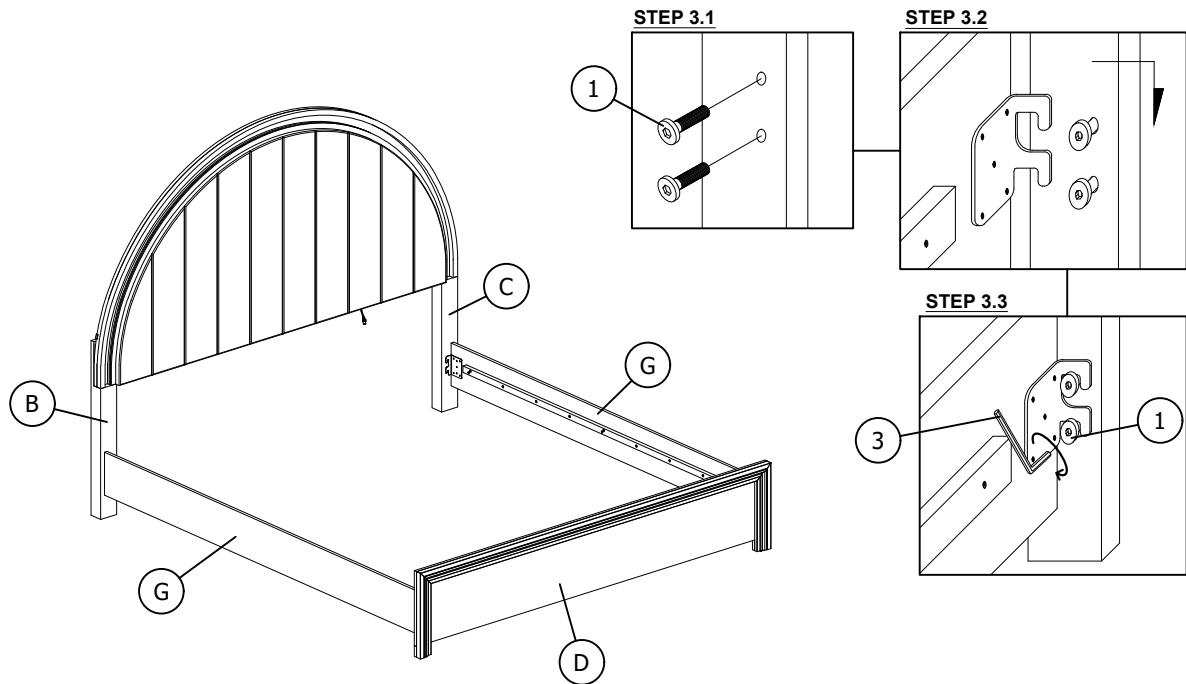
NOTE : Periodically check to ensure that all connectors (bolts, screws, etc.) are tight.

MADE IN MALAYSIA

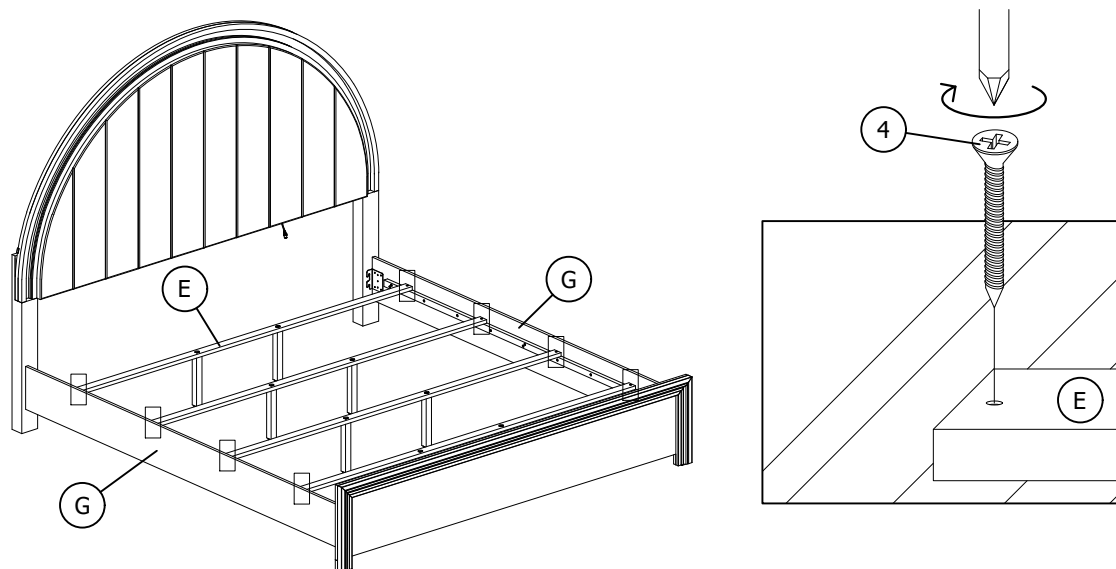
ASSEMBLY INSTRUCTIONS

ITEM : B9285-K-HBFB / B9285-KQ-RAIL KING BED

STEP 3



STEP 4



THE HARDWARE IS LOCATED IN THE PACKING ITEMS

PAGE 02 OF 03

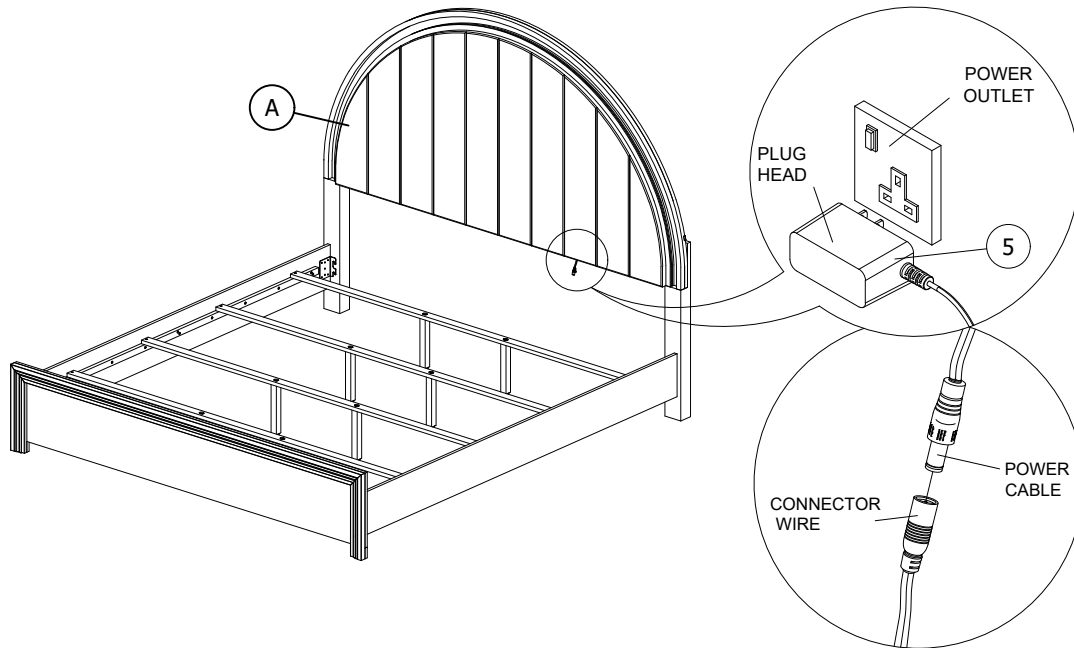
NOTE : Periodically check to ensure that all connectors (bolts, screws, etc.) are tight.

MADE IN MALAYSIA

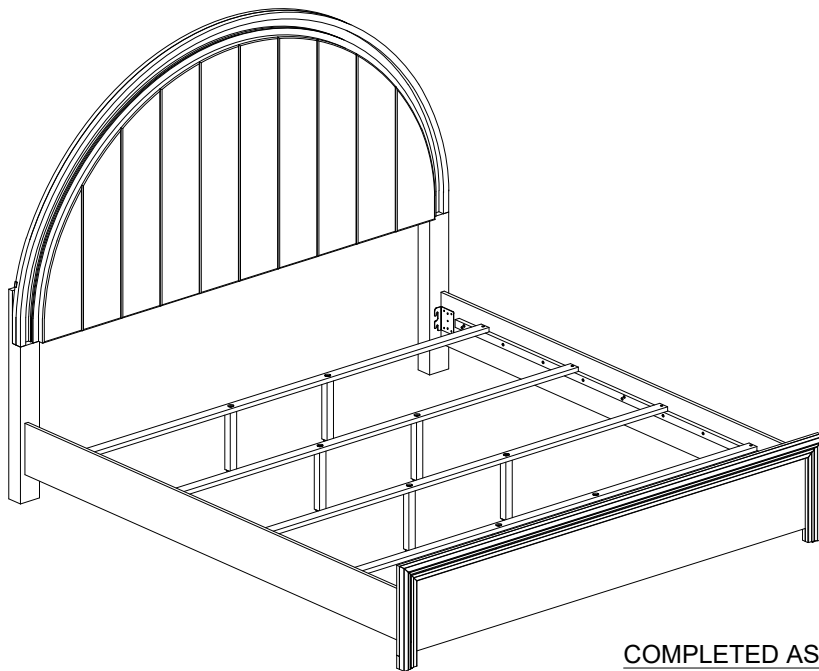
ASSEMBLY INSTRUCTIONS

ITEM : B9285-K-HBFB / B9285-KQ-RAIL KING BED

STEP 5



STEP 6



THE HARDWARE IS LOCATED IN THE PACKING ITEMS

PAGE 03 OF 03

NOTE : Periodically check to ensure that all connectors (bolts, screws, etc.) are tight.

MADE IN MALAYSIA