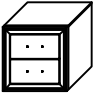
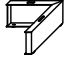




ASSEMBLY INSTRUCTION

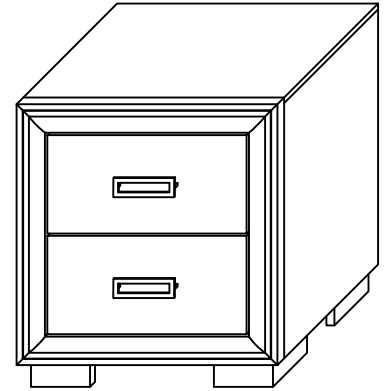
ITEM : B9290-2 NIGHTSTAND

**BOX OF NIGHTSTAND
NIGHTSTAND**

ITEM	DRAWING	DESCRIPTION	QTY
A		NIGHTSTAND	1
B		METAL LEG	4

**BOX OF NIGHETSTAND
HARDWARE LIST**

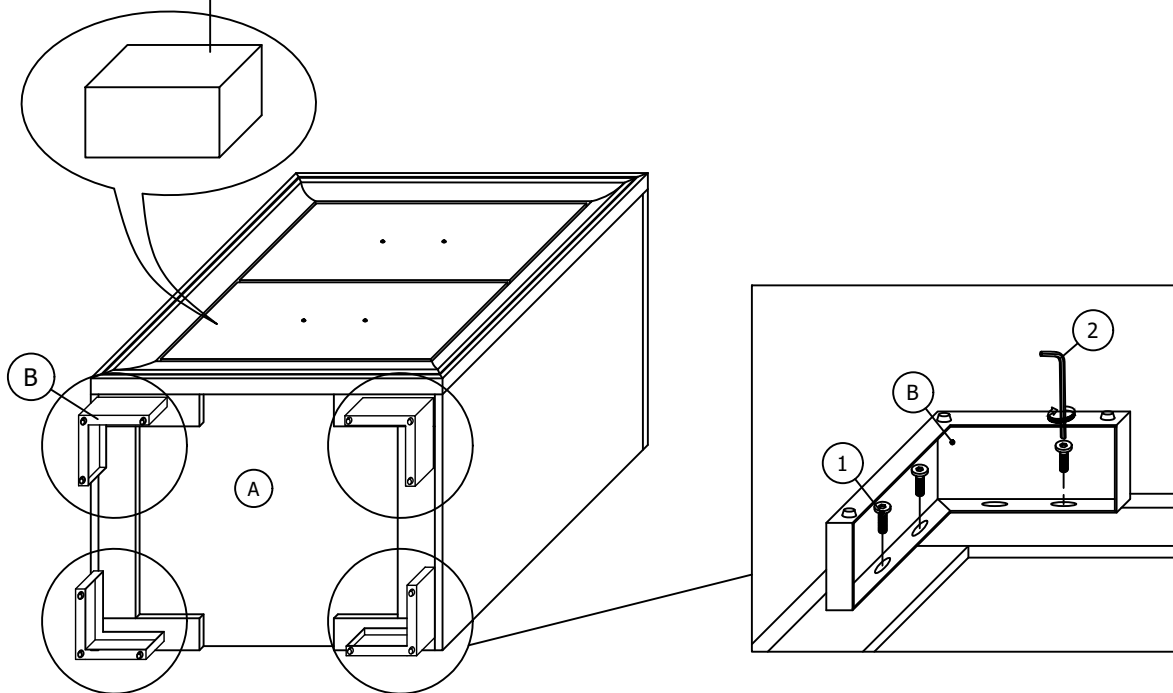
ITEM	DRAWING	DESCRIPTION	QTY
1		JCBC SCREW M6x15mm	12
2		L-KEY M4x65mm	1



COMPLETED NIGHTSTAND ASSEMBLY

STEP 1

The metal leg are inside the box in the second drawer.



THE HARDWARE IS LOCATED IN THE PACKING ITEMS

PAGE 01 OF 02

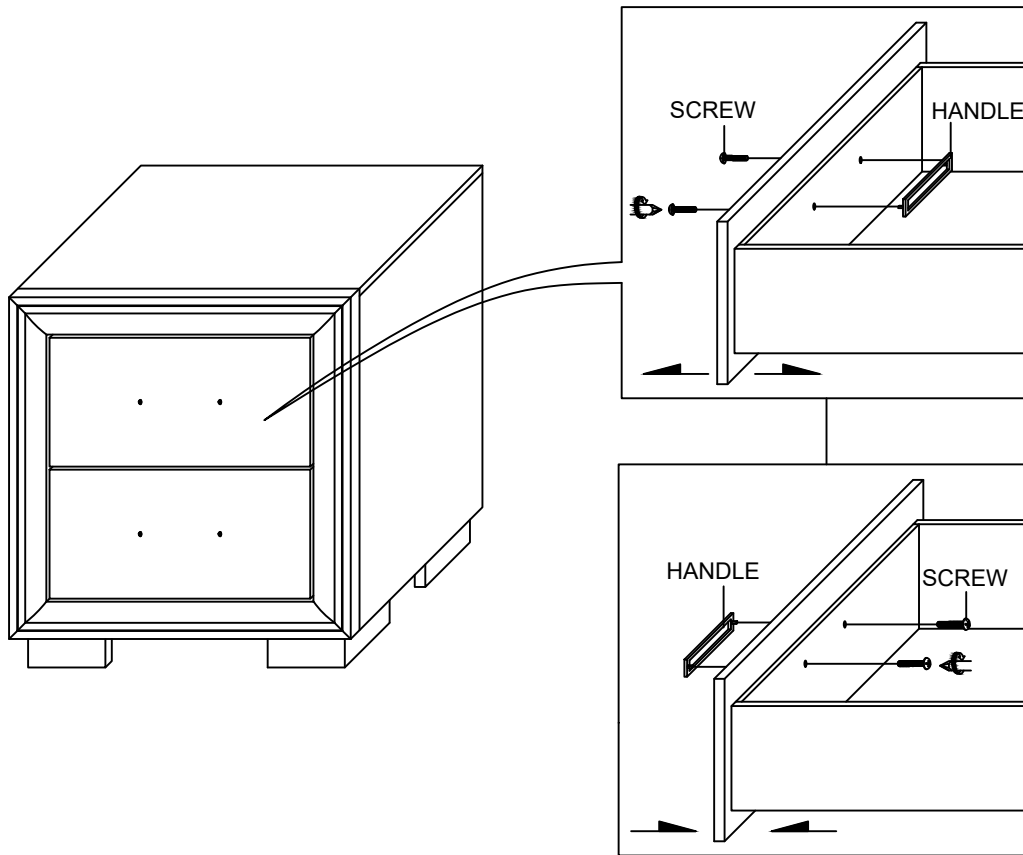
NOTE : MUST TIGHT SCREWS PERIODICALL. WITH USE SCREWS MAY BECOME LOOSE.
CHECK TIGHTNESS OF ALL SCREWS EVERY 6-8 WEEKS.

MADE IN MALAYSIA

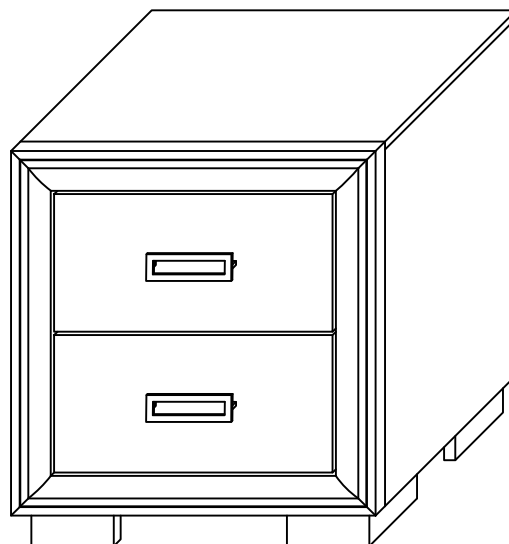
ASSEMBLY INSTRUCTION

ITEM : B9290-2 NIGHTSTAND

STEP 2



STEP 3



THE HARDWARE IS LOCATED IN THE PACKING ITEMS

PAGE 02 OF 02

NOTE : MUST TIGHT SCREWS PERIODICALL. WITH USE SCREWS MAY BECOME LOOSE.
CHECK TIGHNESS OF ALL SCREWS EVERY 6-8 WEEKS.

MADE IN MALAYSIA