

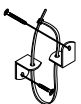




ASSEMBLY INSTRUCTION

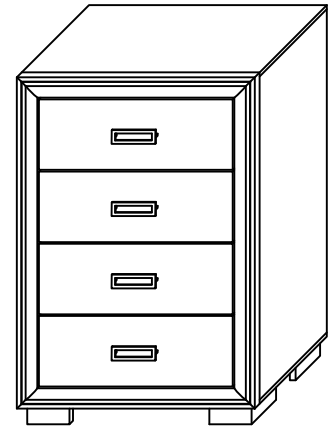
ITEM : B9290-4 CHEST

BOX OF CHEST CHEST

ITEM	DRAWING	DESCRIPTION	QTY
A		CHEST	1
B		METAL LEG	4
C		TIPPING RESTRAINT (Affix to wall behind chest) *Located in the chest 1st drawer	1

BOX OF CHEST HARDWARE LIST

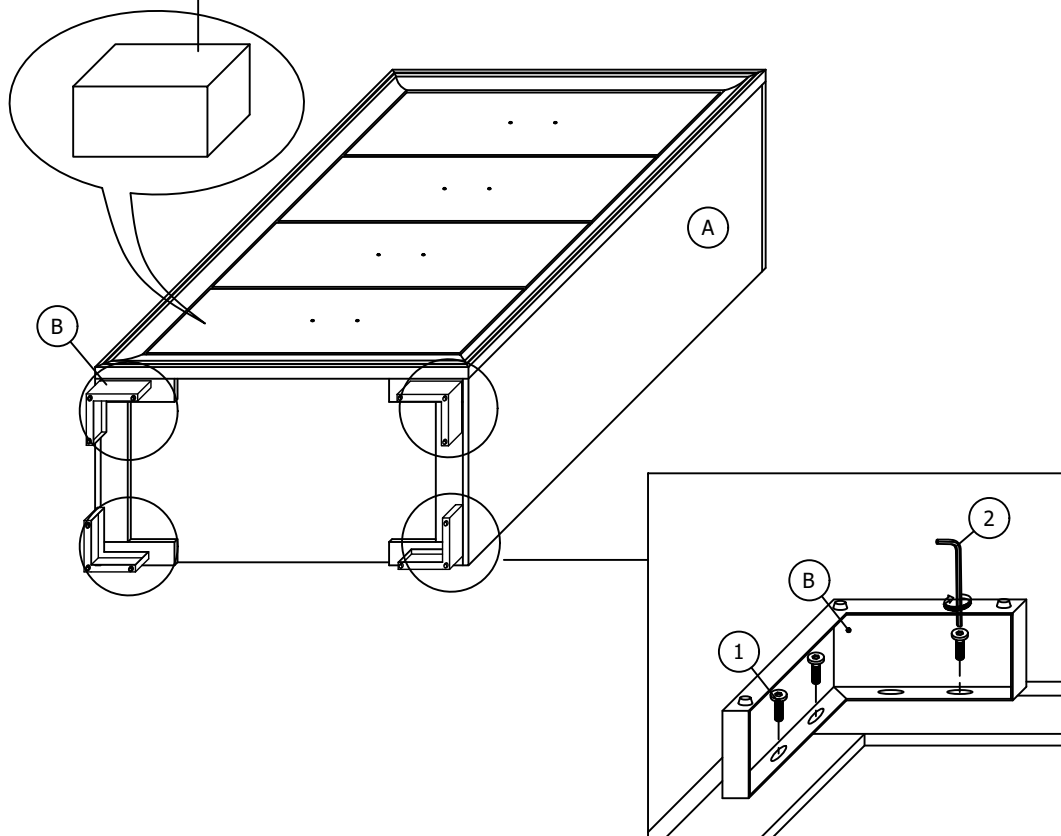
ITEM	DRAWING	DESCRIPTION	QTY
1		JCBC SCREW M6x15mm	12
2		L-KEY M4x65mm	1



COMPLETED CHEST ASSEMBLY

STEP 1

The metal legs are inside the box in the last drawer.



THE HARDWARE IS LOCATED IN THE PACKING ITEMS
THE ANTI TIPPING HARDWARE IS LOCATED IN THE 1ST DRAWER OF CHEST

PAGE 01 OF 02

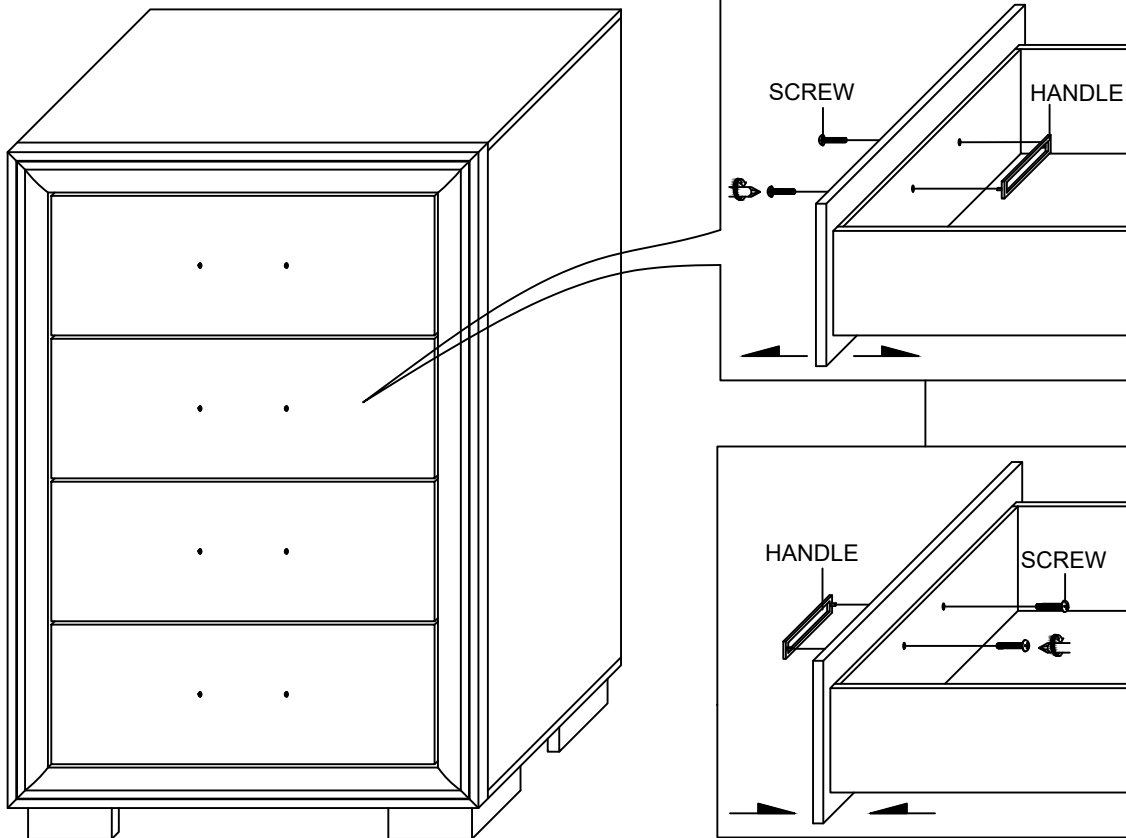
NOTE : MUST TIGHT SCREWS PERIODICALL. WITH USE SCREWS MAY BECOME LOOSE.
CHECK TIGHTNESS OF ALL SCREWS EVERY 6-8 WEEKS.

MADE IN MALAYSIA

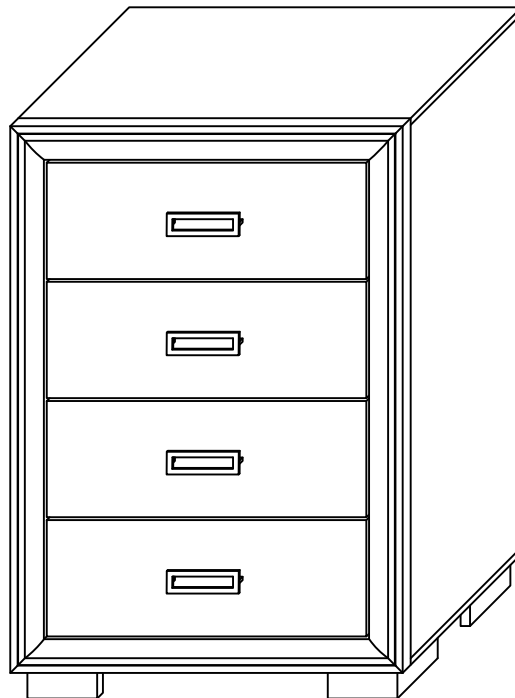
ASSEMBLY INSTRUCTION

ITEM : B9290-4 CHEST

STEP 2



STEP 3



THE HARDWARE IS LOCATED IN THE PACKING ITEMS
THE ANTI TIPPING HARDWARE IS LOCATED IN THE 1ST DRAWER OF CHEST

PAGE 02 OF 02

NOTE : MUST TIGHT SCREWS PERIODICALL. WITH USE SCREWS MAY BECOME LOOSE.
CHECK TIGHTNESS OF ALL SCREWS EVERY 6-8 WEEKS.

MADE IN MALAYSIA