

# ASSEMBLY INSTRUCTION

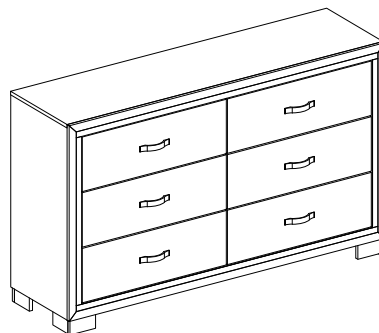
ITEM : B9295-1 DRESSER

## BOX OF DRESSER PART LIST

ITEM	DRAWING	DESCRIPTION	QTY
A		DRESSER	1 PC
B		LEG B	2 PCS
C		LEG C	2 PCS
D		CENTER SUPPORT LEG	1 PC

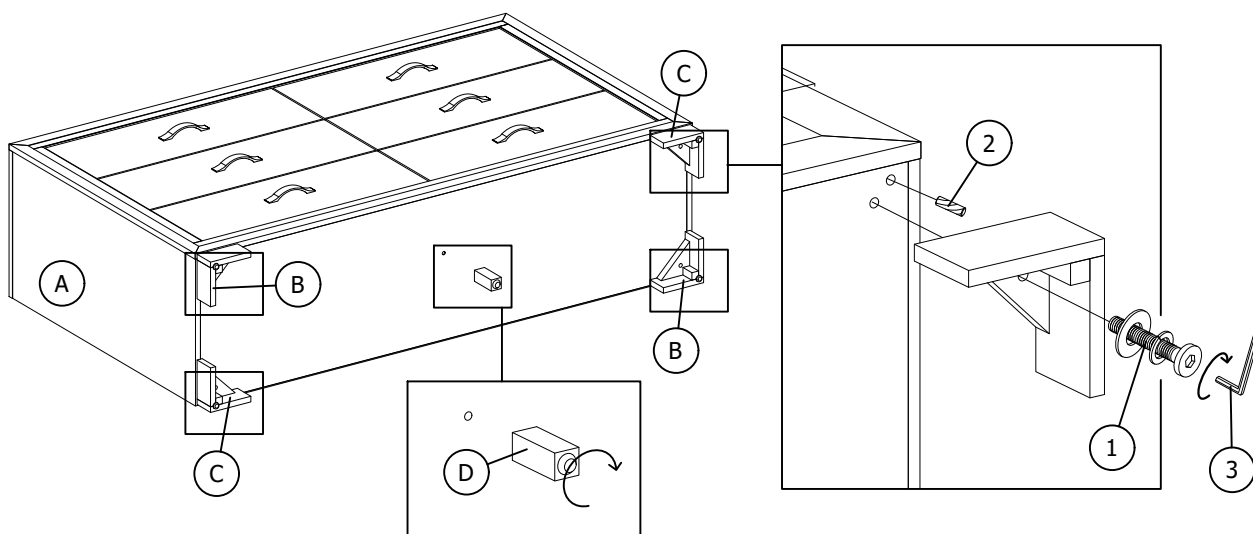
## BOX OF DRESSER HARDWARE LIST

ITEM	DRAWING	DESCRIPTION	QTY
1		JCB SCREW M6 x 40MM	4 PCS
2		WOOD DOWEL Ø8 x 30MM	4 PCS
3		ALLEN KEY M4 x 65MM	1 PC
4		TIPPING RESTRAINT * Located in the dresser 1st right side front drawer.	1 PC



## COMPLETED ASSEMBLY

### STEP 1



THE HARDWARE IS LOCATED IN THE PACKING ITEMS  
THE ANTI TIPPING HARDWARE IS LOCATED IN THE DRESSER 1ST RIGHT SIDE FRONT DRAWER

PAGE 01 OF 02

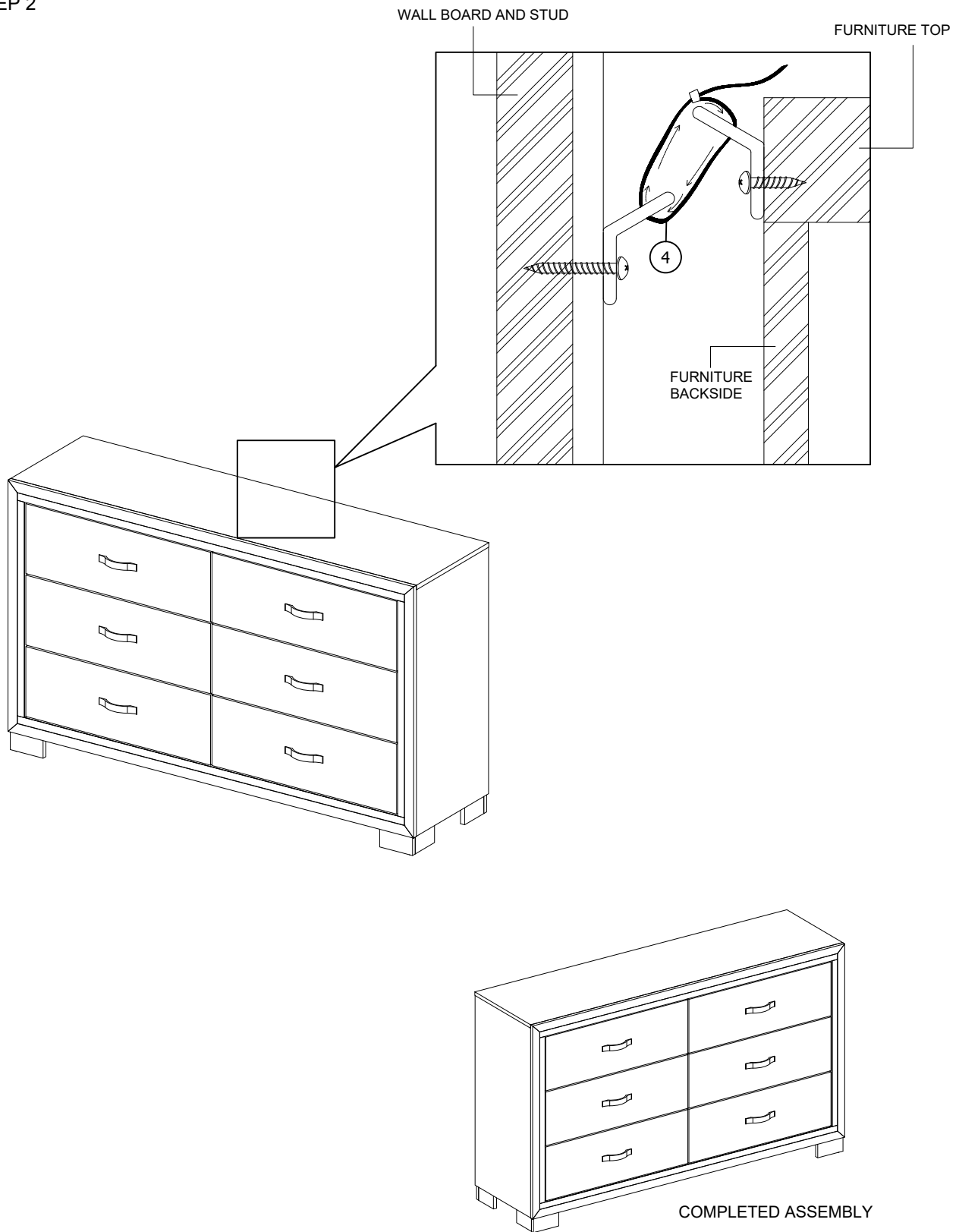
NOTE : MUST TIGHTEN SCREWS PERIODICALLY. WITH USE SCREWS MAY BECOME LOOSE.  
CHECK TIGHTNESS OF ALL SCREWS EVERY 6-8 WEEKS.

MADE IN MALAYSIA

# ASSEMBLY INSTRUCTION

ITEM : B9295-1 DRESSER

STEP 2



THE HARDWARE IS LOCATED IN THE PACKING ITEMS

THE ANTI TIPPING HARDWARE IS LOCATED IN THE DRESSER 1ST RIGHT SIDE FRONT DRAWER

PAGE 02 OF 02

NOTE : MUST TIGHTEN SCREWS PERIODICALLY. WITH USE SCREWS MAY BECOME LOOSE.  
CHECK TIGHTNESS OF ALL SCREWS EVERY 6-8 WEEKS.

MADE IN MALAYSIA