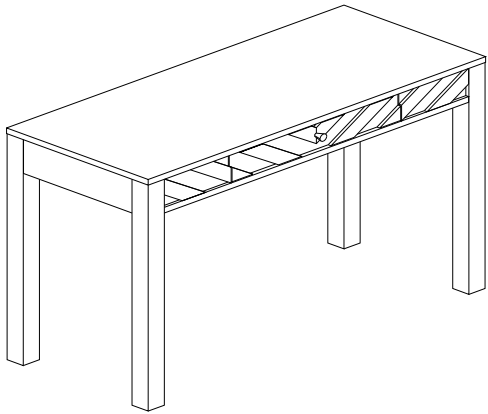




B9332-DESK


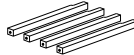
Writing Desk

Thank you for purchasing this quality product . Be sure to check all packing material carefully for small parts that may have come loose inside the carton during shipment.

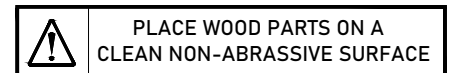
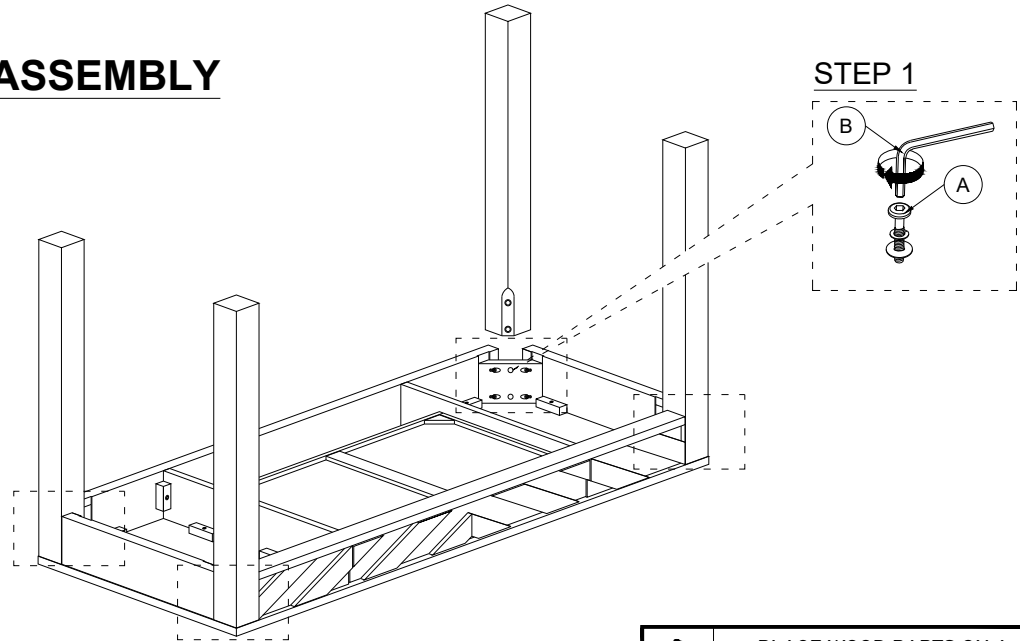
****Do not fully tighten screws until fully assembled****



Box of Writing Desk - Hardware List			
A		JCBB BOLT M8 x 1.0 x 60 mm	8
B		ALLEN KEY - M5	1

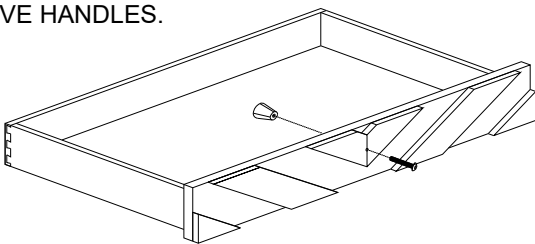
Box of Writing Desk - Part List		
NO	DESCRIPTION	QTY
1	 Table	1
2	 Leg	4

COMPLETE ASSEMBLY



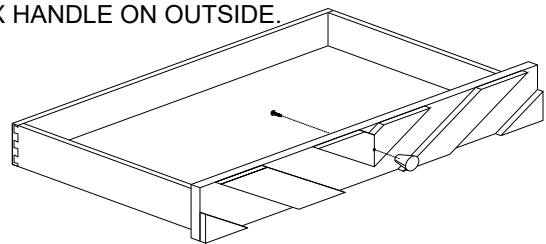
STEP 2

REMOVE HANDLES.



STEP 3

REFIX HANDLE ON OUTSIDE.



The Hardware is Located in the Packing Items.

NOTE : Pictures for illustration purpose only.