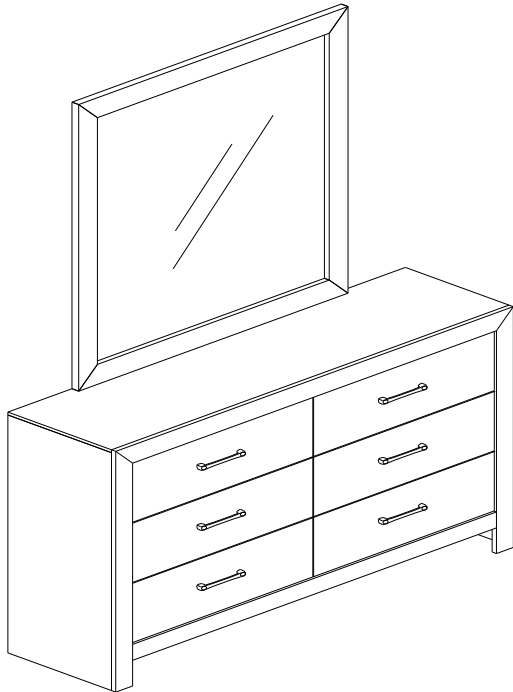



MIRROR

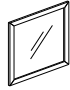
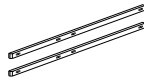
B9340-11 Mirror



Thank you for purchasing this quality product . Be sure to check all packing material carefully for small parts that may have come loose inside the carton during shipment.

****Do not fully tighten screws until fully assembled****

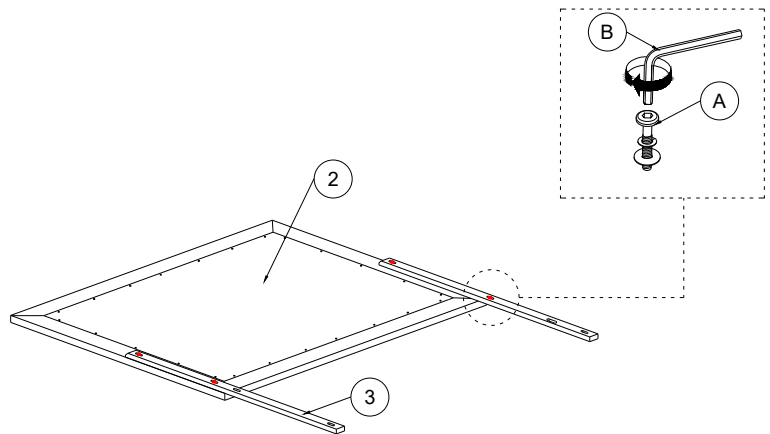
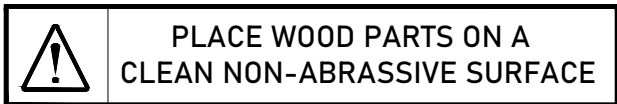


Box of Dresser		
NO	DESCRIPTION	QTY
1	 DRESSER	1

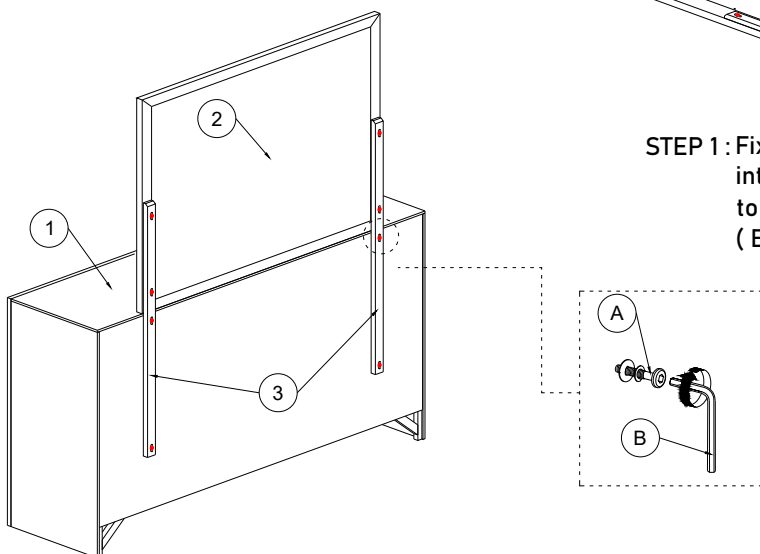
Box of Mirror		
NO	DESCRIPTION	QTY
2	 MIRROR	1
3	 MIRROR SUPPORT	2

Box of Mirror - Hardware List		
NO	DESCRIPTION	QTY
A	 JCBC BOLT M6 x 1.0 x 40 mm	8
B	 ALLEN KEY - M4	1

COMPLETE ASSEMBLY



STEP 1 : Fix Mirror Support on top of Mirror . Insert JCBC BOLT (A) into the holes at the mirror support . Tighten the support rail to the mirror & dresser with JCBC Bolt (A) using ALLEN KEY (B) .



STEP 2 : Fix Mirror on top of Dresser . Insert JCBC BOLT (A) into the holes at the mirror support . Tighten the support rail to the mirror & dresser with JCBC BOLT (A) using ALLEN KEY (B) .

The Hardware is Located in the Packing Items.

The Anti Tipping Hardware is Located in the 1st Right Side Front Drawer of Dresser.

NOTE : Pictures for illustration purpose only.

NOTE : Periodically check to ensure that all connectors (bolts, screws, etc.) are tight.

MADE IN MALAYSIA